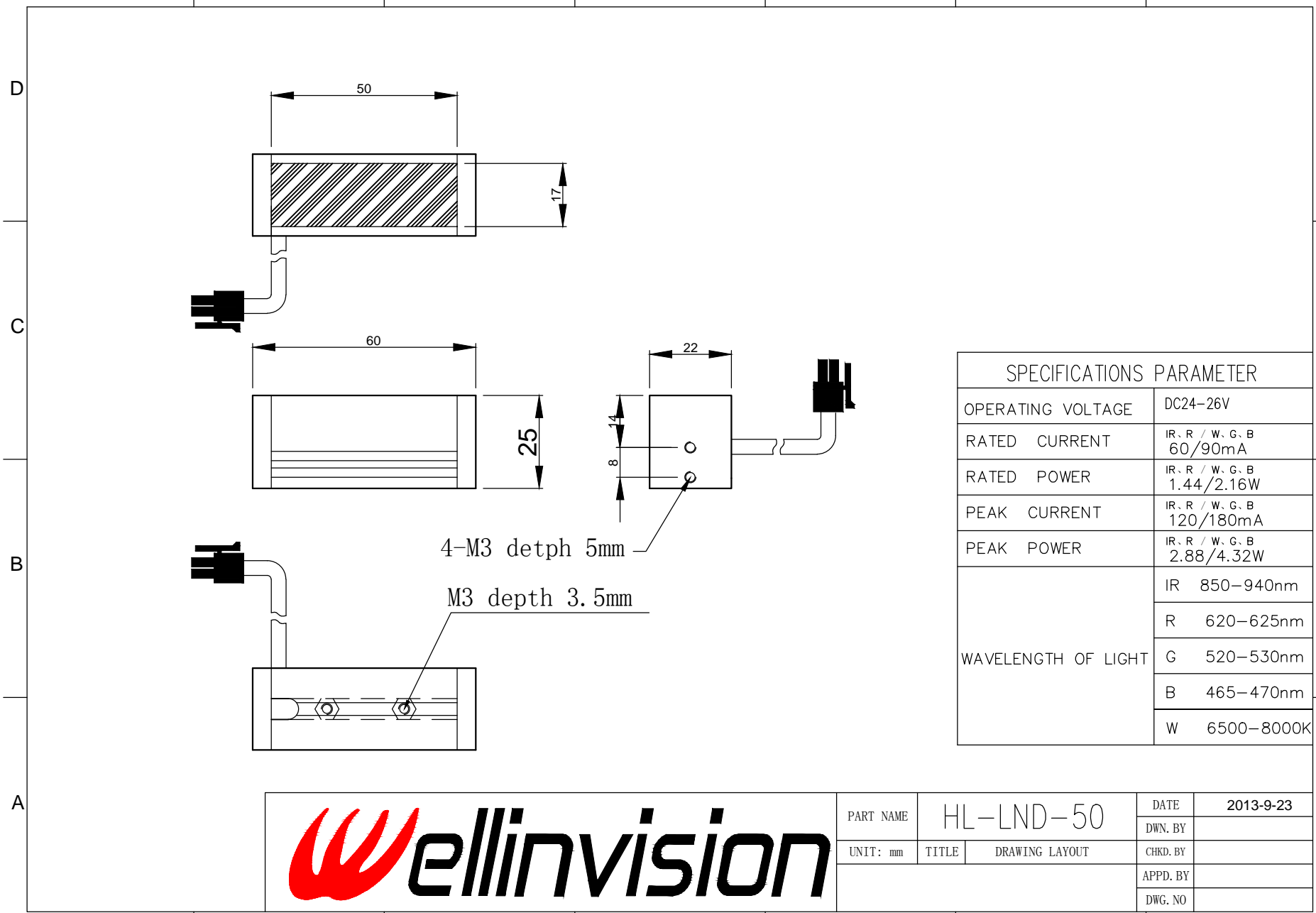


1 2 3 4 5 6 7



SPECIFICATIONS PARAMETER	
OPERATING VOLTAGE	DC24-26V
RATED CURRENT	IR, R / W, G, B 60/90mA
RATED POWER	IR, R / W, G, B 1.44/2.16W
PEAK CURRENT	IR, R / W, G, B 120/180mA
PEAK POWER	IR, R / W, G, B 2.88/4.32W
WAVELENGTH OF LIGHT	IR 850-940nm
	R 620-625nm
	G 520-530nm
	B 465-470nm
	W 6500-8000K



PART NAME	HL-LND-50	DATE	2013-9-23
UNIT: mm	TITLE	DRAWING LAYOUT	DWN. BY
			CHKD. BY
			APPD. BY
			DWG. NO

1 2 3 4 5 6 7