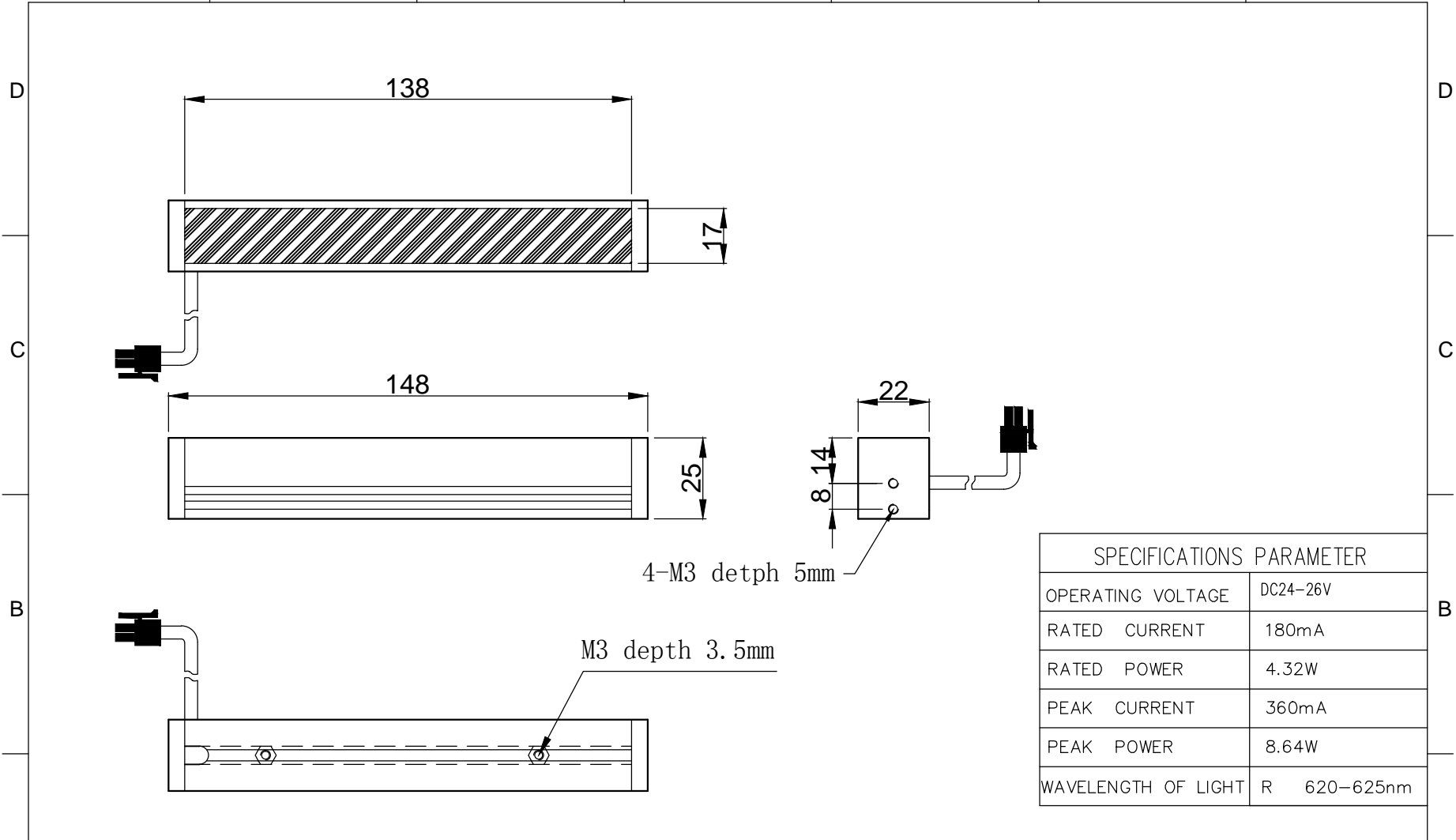


1 2 3 4 5 6 7



SPECIFICATIONS PARAMETER	
OPERATING VOLTAGE	DC24-26V
RATED CURRENT	180mA
RATED POWER	4.32W
PEAK CURRENT	360mA
PEAK POWER	8.64W
WAVELENGTH OF LIGHT	R 620-625nm

A



PART NAME	HL-LND-138-R		DATE	2013-12-11
UNIT: mm	TITLE	DRAWING LAYOUT	DWN. BY	
			CHKD. BY	
			APPD. BY	
			DWG. NO	

1 2 3 4 5 6 7