

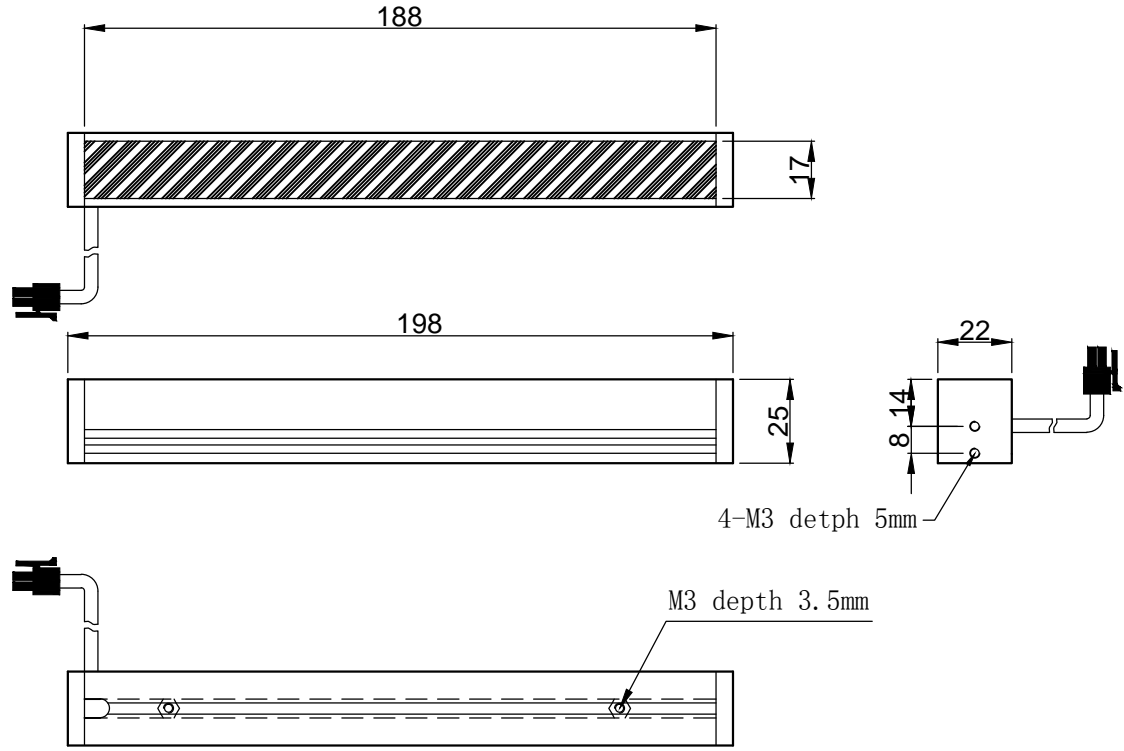
1 2 3 4 5 6 7

D D

C C

B B

A A



SPECIFICATIONS PARAMETER	
OPERATING VOLTAGE	DC24-26V
RATED CURRENT	210mA
RATED POWER	5.04W
PEAK CURRENT	420mA
PEAK POWER	10.08W
WAVELENGTH OF LIGHT	R 620-625nm



PART NAME	HL-LND-188-R		DATE	2013-9-23
UNIT: mm	TITLE	DRAWING LAYOUT	DWN. BY	
			CHKD. BY	
			APPD. BY	
			DWG. NO	

1 2 3 4 5 6 7