

1

2

3

4

5

6

7

D

D

C

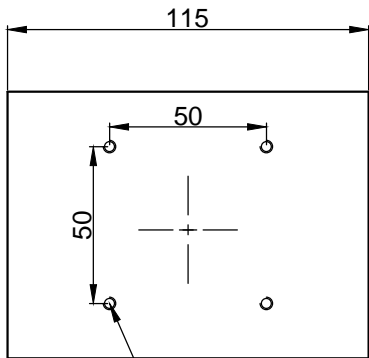
C

B

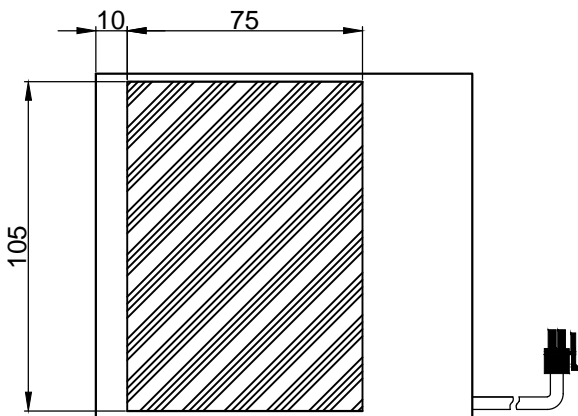
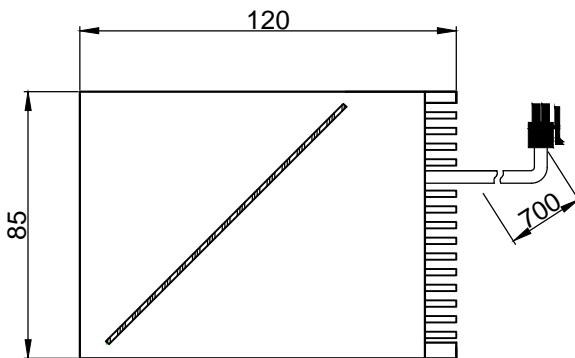
B

A

A



4-M4 depth 6



SPECIFICATIONS PARAMETER

OPERATING VOLTAGE	DC24-26V
RATED CURRENT	IR, R / W, G, B, V 600/900mA
RATED POWER	IR, R / W, G, B, V 14.4/21.6W
PEAK CURRENT	IR, R / W, G, B, V 1200/1800mA
PEAK POWER	IR, R / W, G, B, V 28.8/43.2W
WAVELENGTH OF LIGHT	IR 850 nm
	R 620-625nm
	G 520-530nm
	B 465-470nm
	V 365-400nm
	W 6500-7000K



PART NAME	HL-CL-75-100	DATE	2013-10-10
UNIT: mm	TITLE	DWN. BY	
	DRAWING LAYOUT	CHKD. BY	
		APPD. BY	
		DWG. NO	

1

2

3

4

5

6

7