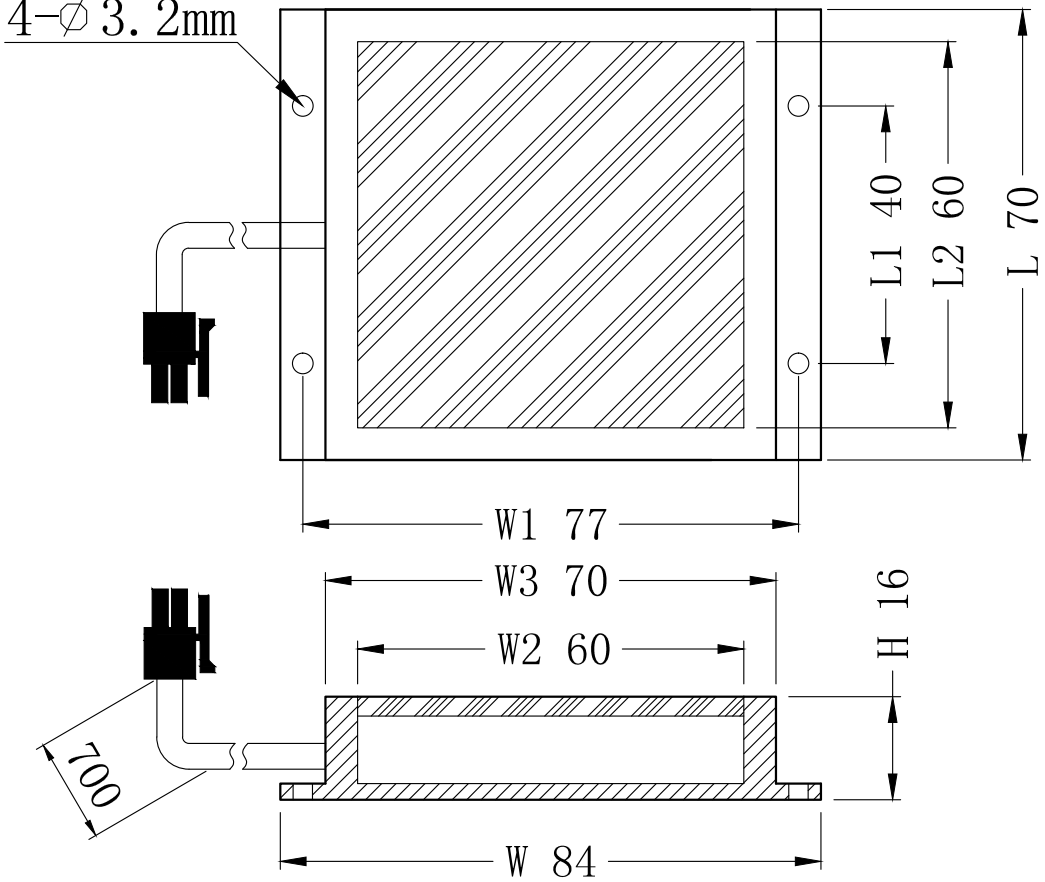


4- \varnothing 3.2mm



SPECIFICATIONS PARAMETER	
OPERATING VOLTAGE	DC24-26V
RATED CURRENT	IR, R/W, G, B, V 130/180mA
RATED POWER	IR, R/W, G, B, V 3.1/4.3W
PEAK CURRENT	IR, R/W, G, B, V 230/320mA
PEAK POWER	IR, R/W, G, B, V 5.5/7.7W
WAVELENGTH OF LIGHT	IR 850nm
	R 620-625nm
	G 520-530nm
	B 465-470nm
	V 365-400nm
	W 6500-7000K



PART NAME	HL-BK-60-60		DATE	2013-9-07
UNIT: mm	TITLE	DRAWING LAYOUT	CHKD. BY	
FOR VINPERT			APPD. BY	
			DWG. NO	