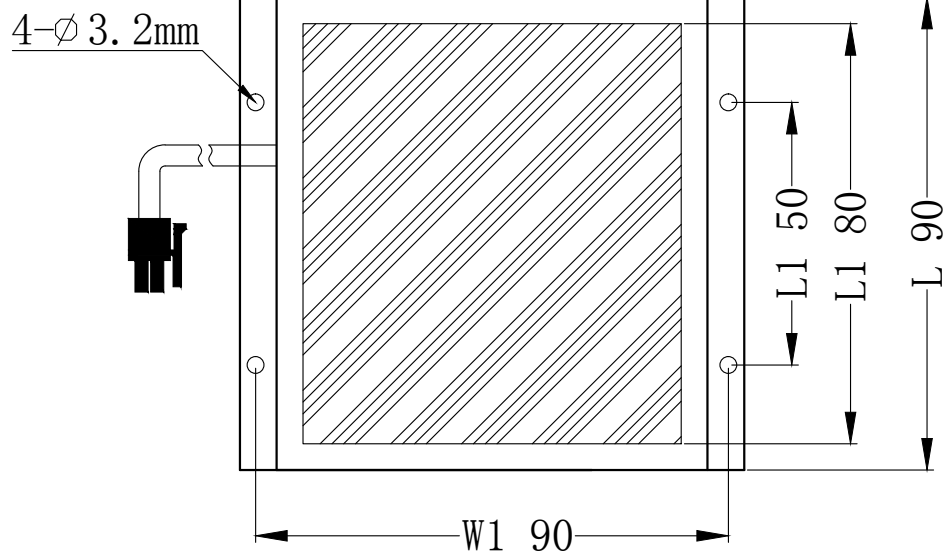


1 2 3 4 5 6 7

D

D



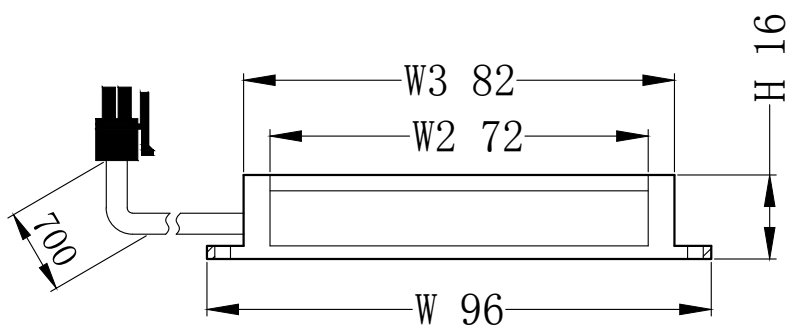
C

C

SPECIFICATIONS PARAMETER	
OPERATING VOLTAGE	DC24-26V
RATED CURRENT	IR, R / W, G, B, V 300/360mA
RATED POWER	IR, R / W, G, B, V 7.2/8.6W
PEAK CURRENT	IR, R / W, G, B, V 540/650mA
PEAK POWER	IR, R / W, G, B, V 13/15.6W
WAVELENGTH OF LIGHT	IR 850 nm
	R 620-625nm
	G 520-530nm
	B 465-470nm
	V 365-400nm
	W 6500-7000K

B

B



A

A



PART NAME	HL-BK-72-80	DATE	2015-3-4
UNIT: mm	TITLE	DRAWING LAYOUT	DWN. BY
			CHKD. BY
			APPD. BY
			DWG. NO

1 2 3 4 5 6 7