

1

2

3

4

5

6

7

D

C

B

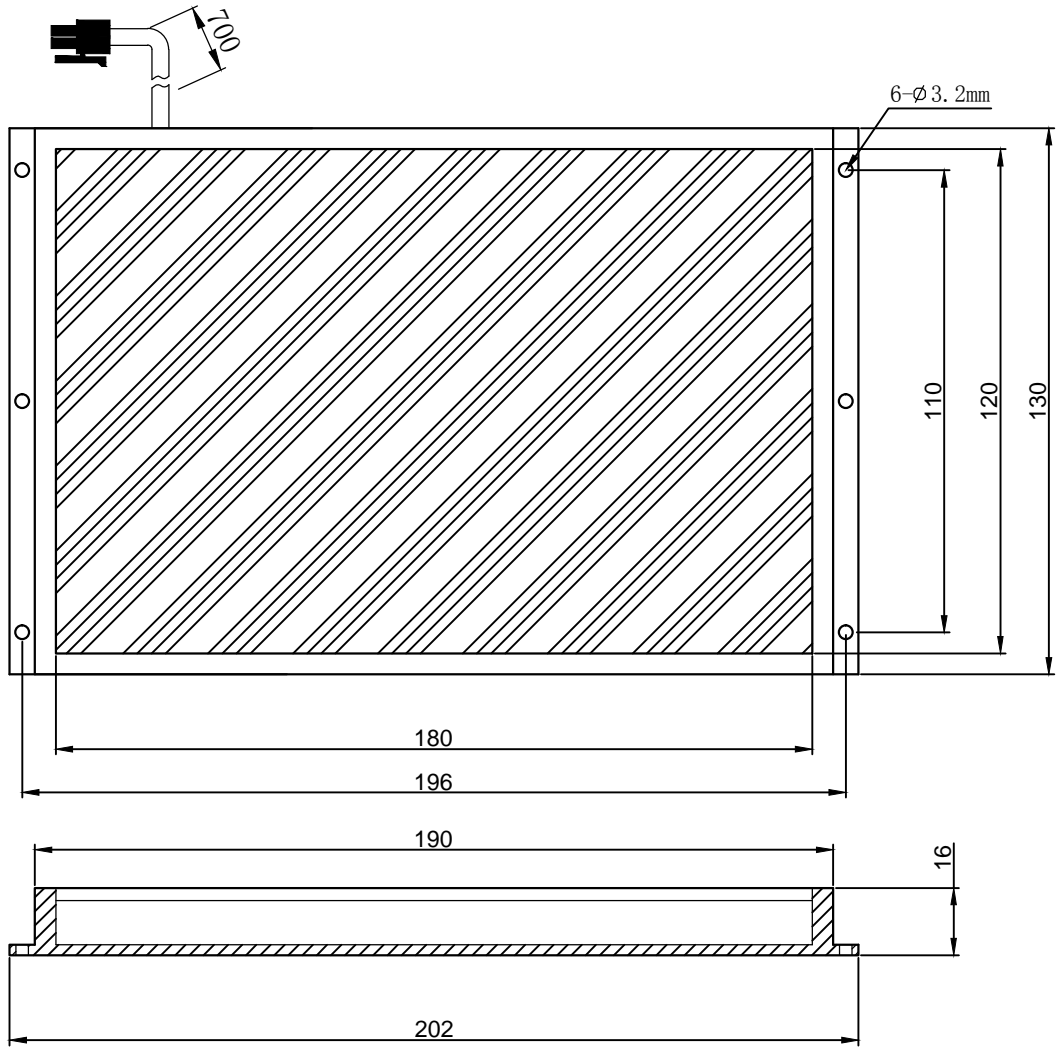
A

D

C

B

A



| SPECIFICATIONS PARAMETER | |
|--------------------------|----------------------------------|
| OPERATING VOLTAGE | DC24-26V |
| RATED CURRENT | IR, R / W, G, B, V 450/600mA |
| RATED POWER | IR, R / W, G, B, V 10.8/14.4W |
| PEAK CURRENT | IR, R / W, G, B, V 900/1200mA |
| PEAK POWER | IR, R / W, G, B, V 21.6/28.8W |
| WAVELENGTH OF LIGHT | IR 850 nm |
| | R 620-625nm |
| | G 520-530nm |
| | B 465-470nm |
| | W 6500-7000K |



| | | | |
|-----------|---------------|----------------|----------|
| PART NAME | HL-BK-120-180 | DATE | 2015-3-2 |
| UNIT: mm | TITLE | DRAWING LAYOUT | CHKD. BY |
| | | | APPD. BY |
| | | | DWG. NO |

1

2

3

4

5

6

7