

1 2 3 4 5 6 7

D

D

C

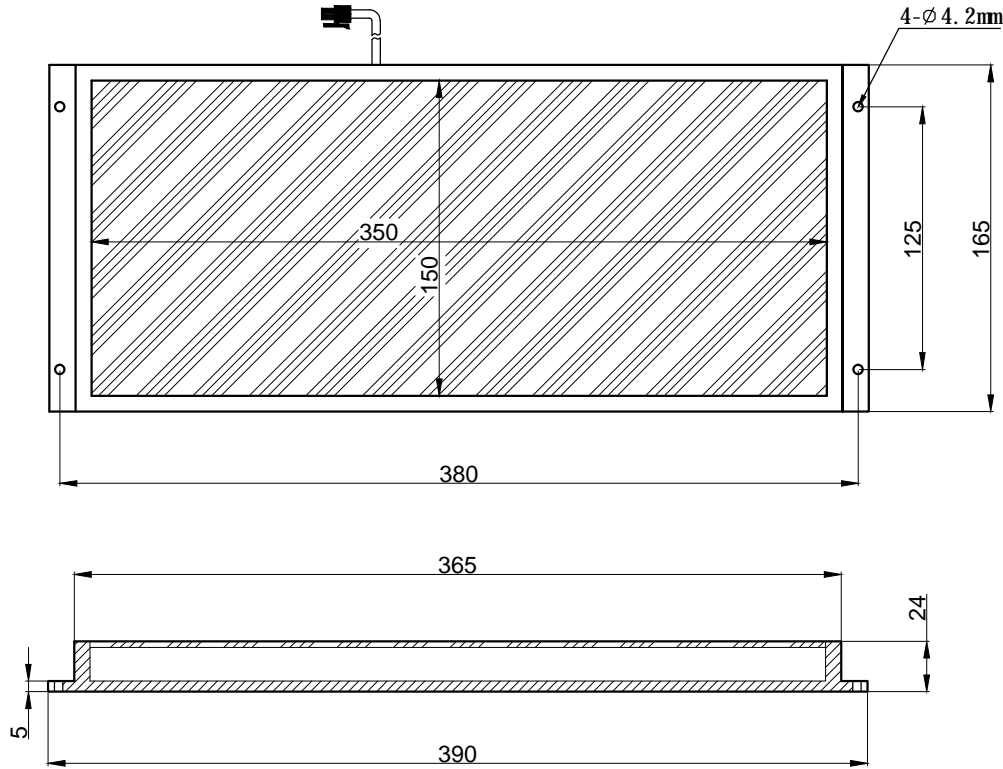
C

B

B

A

A



SPECIFICATIONS PARAMETER

OPERATING VOLTAGE	DC24-26V
RATED CURRENT	IR, R / W, G, B 1.2/1.6A
RATED POWER	IR, R / W, G, B 28.8/38.4W
PEAK CURRENT	IR, R / W, G, B 2.4/3.2A
PEAK POWER	IR, R / W, G, B 57.6/76.8W
WAVELENGTH OF LIGHT	IR 850 nm
	R 620-625nm
	G 520-530nm
	B 465-470nm
	W 6500-7000K



PART NAME	HL-BK-150-350		DATE	2013-5-3
UNIT: mm	TITLE	DRAWING LAYOUT	DWN.BY	
			CHKD.BY	
			APPD.BY	
			DWG.NO	

1 2 3 4 5 6 7