

1

2

3

4

5

6

7

D

D

C

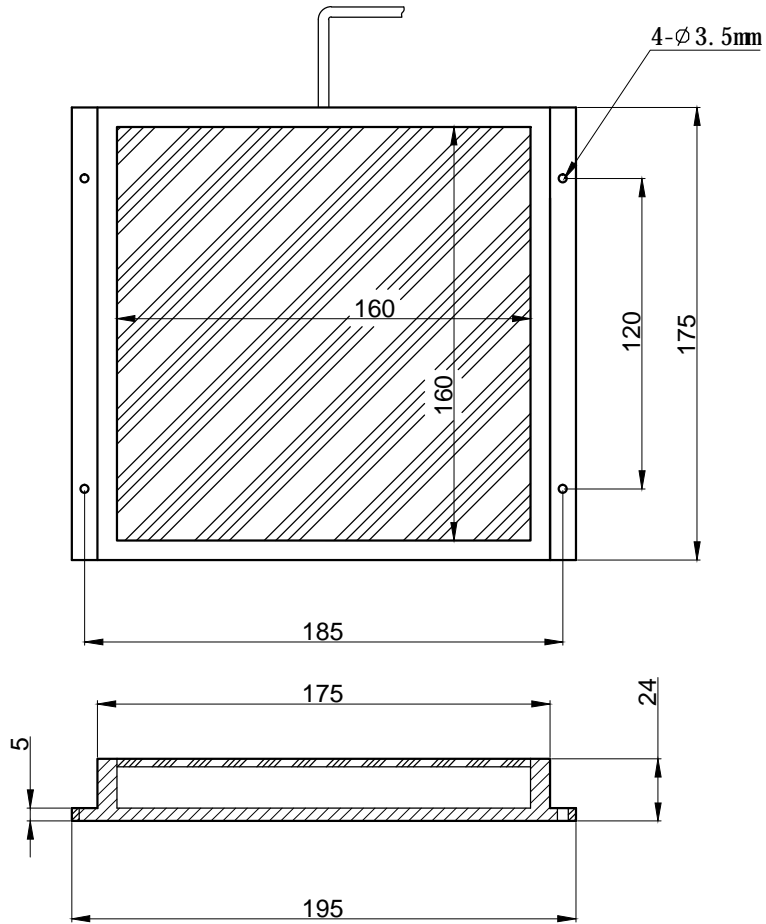
C

B

B

A

A



SPECIFICATIONS PARAMETER	
OPERATING VOLTAGE	DC24-26V
RATED CURRENT	IR, R / W, G, B, V 480/720mA
RATED POWER	IR, R / W, G, B, V 11.52/17.28W
PEAK CURRENT	IR, R / W, G, B, V 0.96/1.44A
PEAK POWER	IR, R / W, G, B, V 23.04/34.56W
WAVELENGTH OF LIGHT	IR 850 nm
	R 620-625nm
	G 520-530nm
	B 465-470nm
	W 6500-7000K



PART NAME	HL-BK-160-160		DATE	2015-7-6
	UNIT: mm	TITLE	DRAWING LAYOUT	DWN. BY
			CHKD. BY	
			APPD. BY	
			DWG. NO	

1

2

3

4

5

6

7