

1 2 3 4 5 6 7

D

D

C

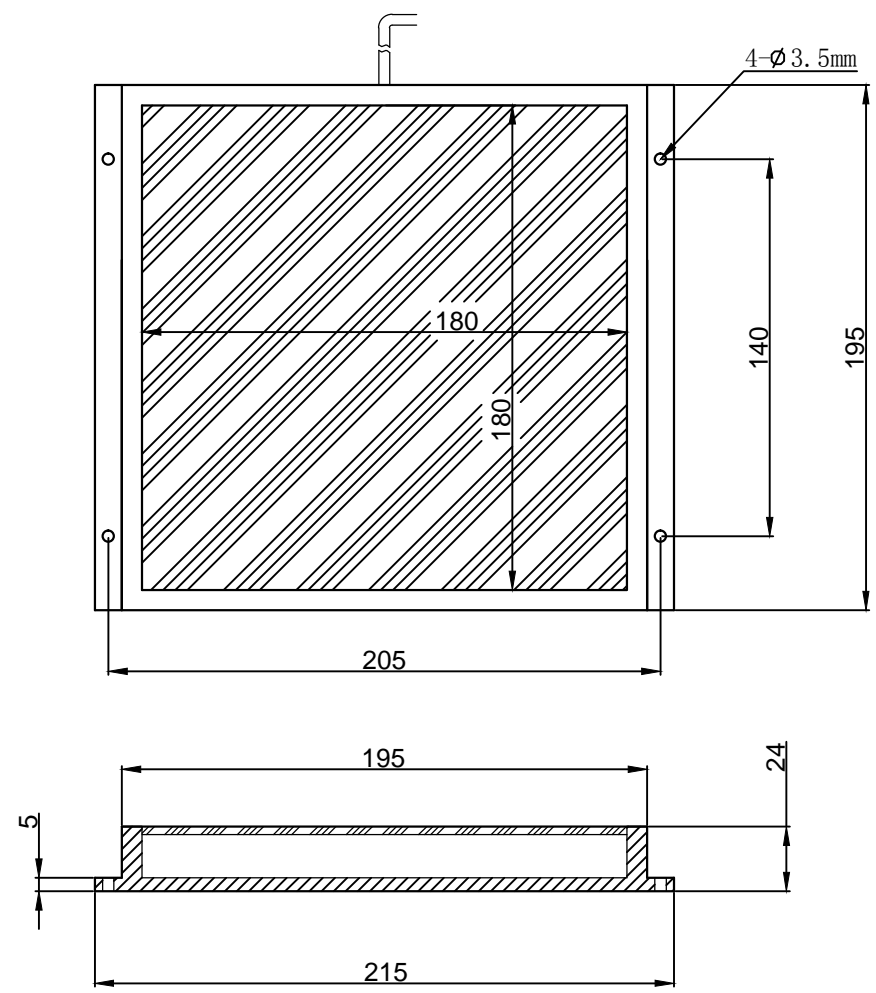
C

B

B

A

A



SPECIFICATIONS PARAMETER	
OPERATING VOLTAGE	DC24-26V
RATED CURRENT	IR, R / W, G, B 480/720mA
RATED POWER	IR, R / W, G, B 11.52/17.28W
PEAK CURRENT	IR, R / W, G, B 0.96/1.44A
PEAK POWER	IR, R / W, G, B 23.04/34.56W
WAVELENGTH OF LIGHT	IR 850 nm
	R 620-625nm
	G 520-530nm
	B 465-470nm
	W 6500-7000K



PART NAME	BK-180-180	DATE	2013-9-07
UNIT: mm	TITLE	DRAWING LAYOUT	CHKD. BY
			APPD. BY
			DWG. NO

1 2 3 4 5 6 7