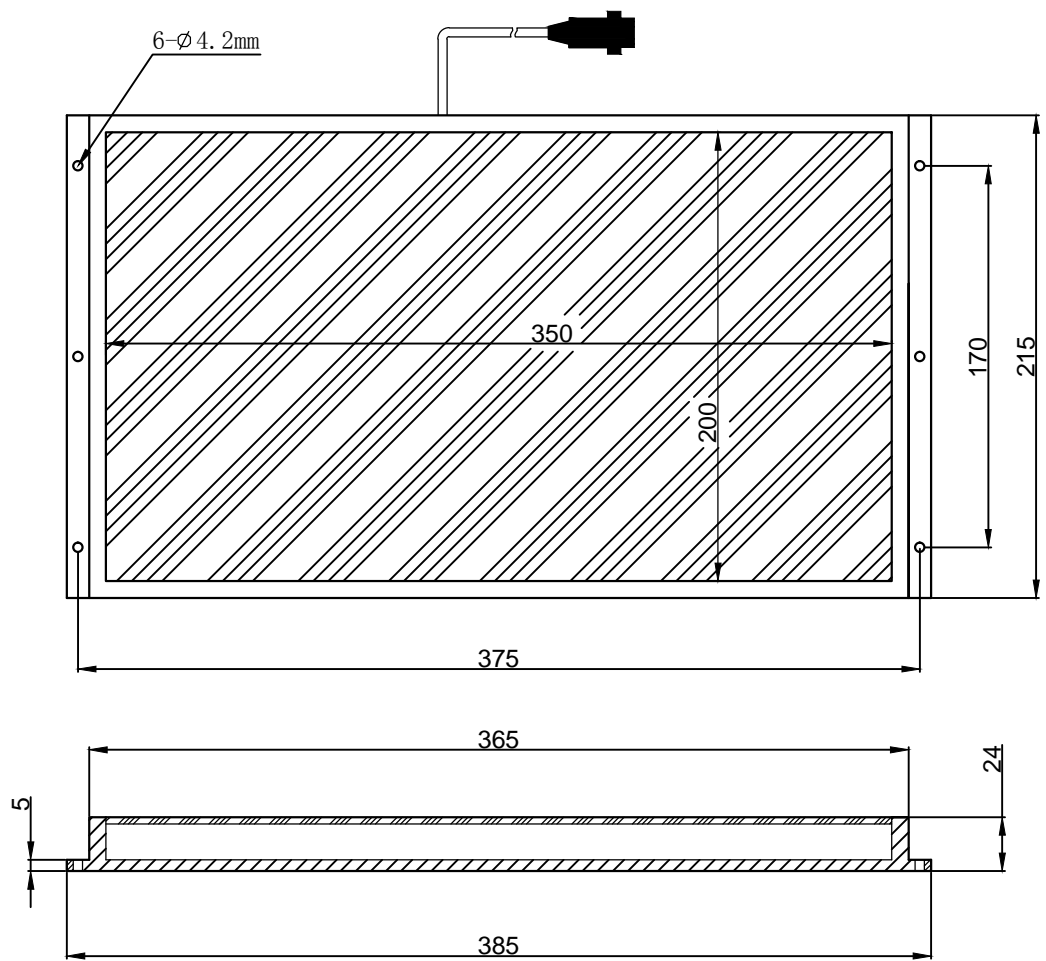


1 2 3 4 5 6 7

D
C
B
A



SPECIFICATIONS PARAMETER	
OPERATING VOLTAGE	DC24-26V
RATED CURRENT	IR, R / W, G, B 1.5/2A
RATED POWER	IR, R / W, G, B 35.7/48.3W
PEAK CURRENT	IR, R / W, G, B 3/4A
PEAK POWER	IR, R / W, G, B 71.4/96.6W
WAVELENGTH OF LIGHT	IR 850 nm
	R 620-625nm
	G 520-530nm
	B 465-470nm
	W 6500-7000K



PART NAME	HL-BK-200-350	DATE	2013-9-07
UNIT: mm	TITLE	DRAWING LAYOUT	CHKD. BY
			APPD. BY
			DWG. NO

1 2 3 4 5 6 7