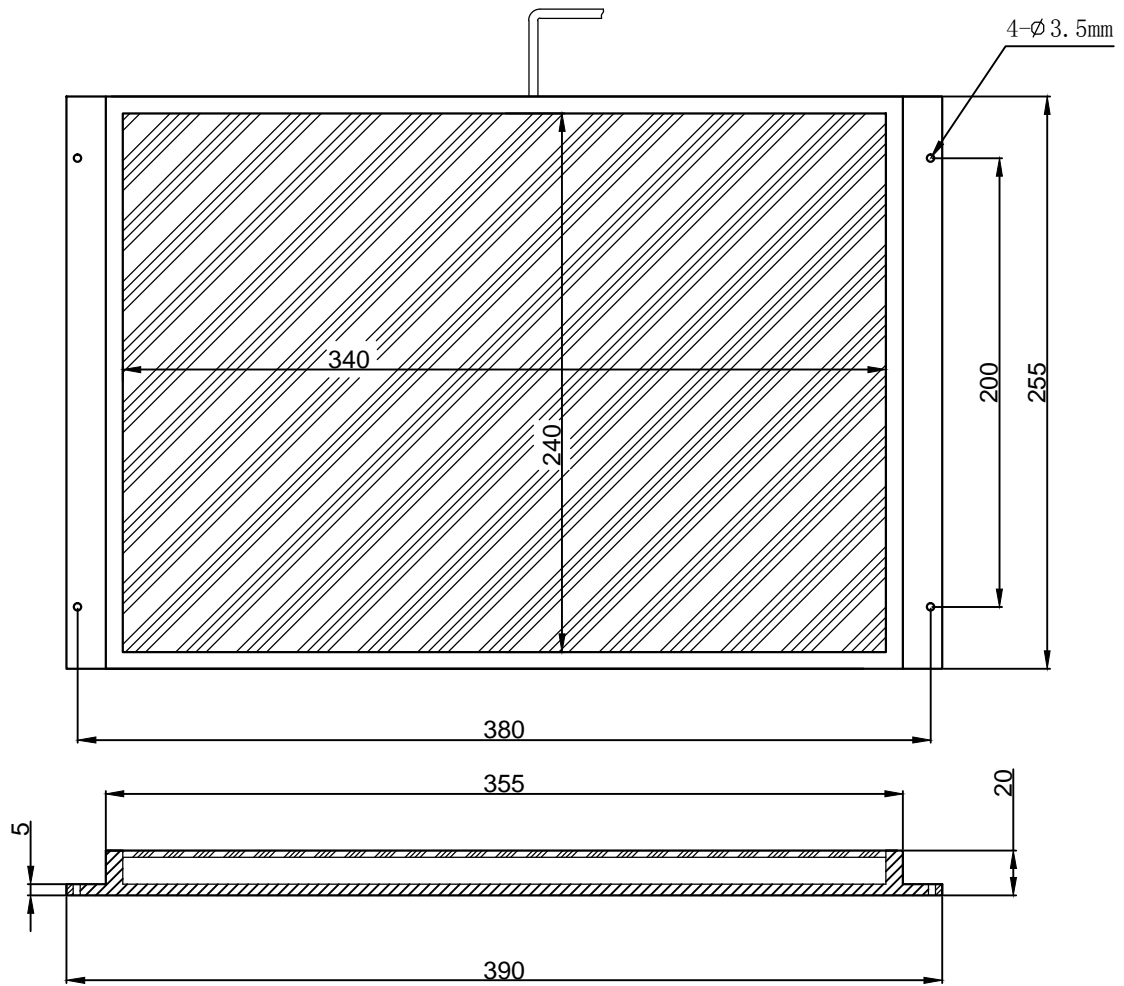


1 2 3 4 5 6 7

D
C
B
A



SPECIFICATIONS PARAMETER	
OPERATING VOLTAGE	DC24-26V
RATED CURRENT	IR, R / W, G, B 1.4/2A
RATED POWER	IR, R / W, G, B 33.6/48W
PEAK CURRENT	IR, R / W, G, B 2.8/4A
PEAK POWER	IR, R / W, G, B 67.2/96W
WAVELENGTH OF LIGHT	IR 850 nm
	R 620-625nm
	G 520-530nm
	B 465-470nm
	W 6500-7000K



PART NAME	HL-BK-240-340(20)	DATE	2017-12-14
UNIT: mm	TITLE	DRAWING LAYOUT	DWN. BY
			CHKD. BY
			APPD. BY
			DWG. NO

1 2 3 4 5 6 7