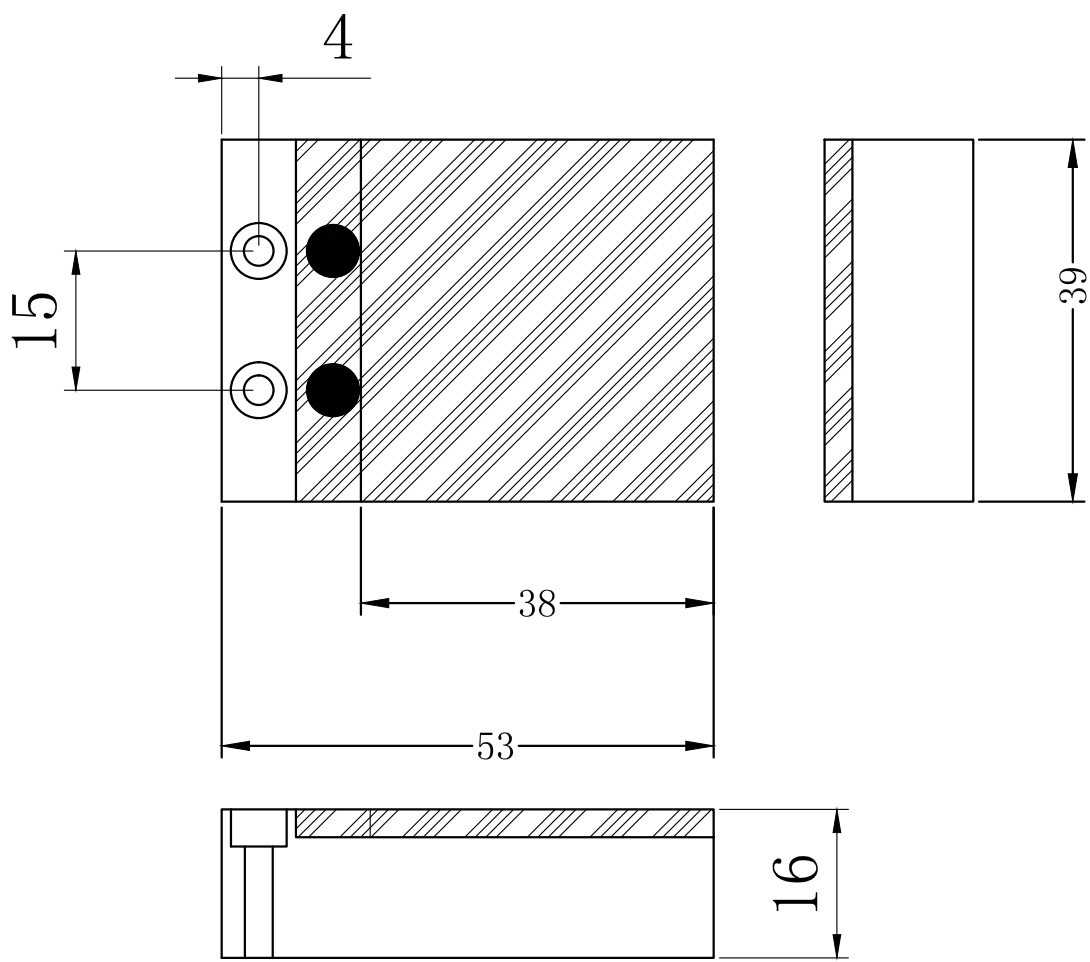


1 2 3 4 5 6 7

D
C
B
A

D
C
B
A



SPECIFICATIONS PARAMETER	
OPERATING VOLTAGE	DC24-26V
RATED CURRENT	R、W、G、B 140mA
RATED POWER	R、W、G、B 3.3W
PEAK CURRENT	R、W、G、B 280mA
PEAK POWER	R、W、G、B 6.7W
WAVELENGTH OF LIGHT	R 620-625nm
	G 520-530nm
	B 465-470nm
	W 6500-7000K



PART NAME	YZ-BK-35-35		DATE	2014-10-15
UNIT: mm	TITLE	DRAWING LAYOUT	DWN.BY	
			CHKD.BY	
			APPD.BY	
			DWG.NO	

1 2 3 4 5 6 7