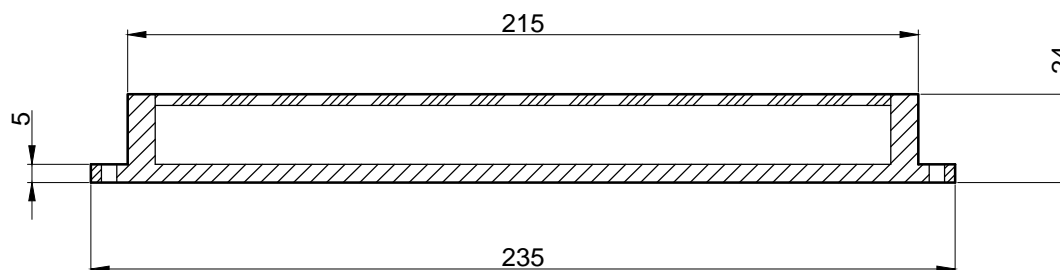
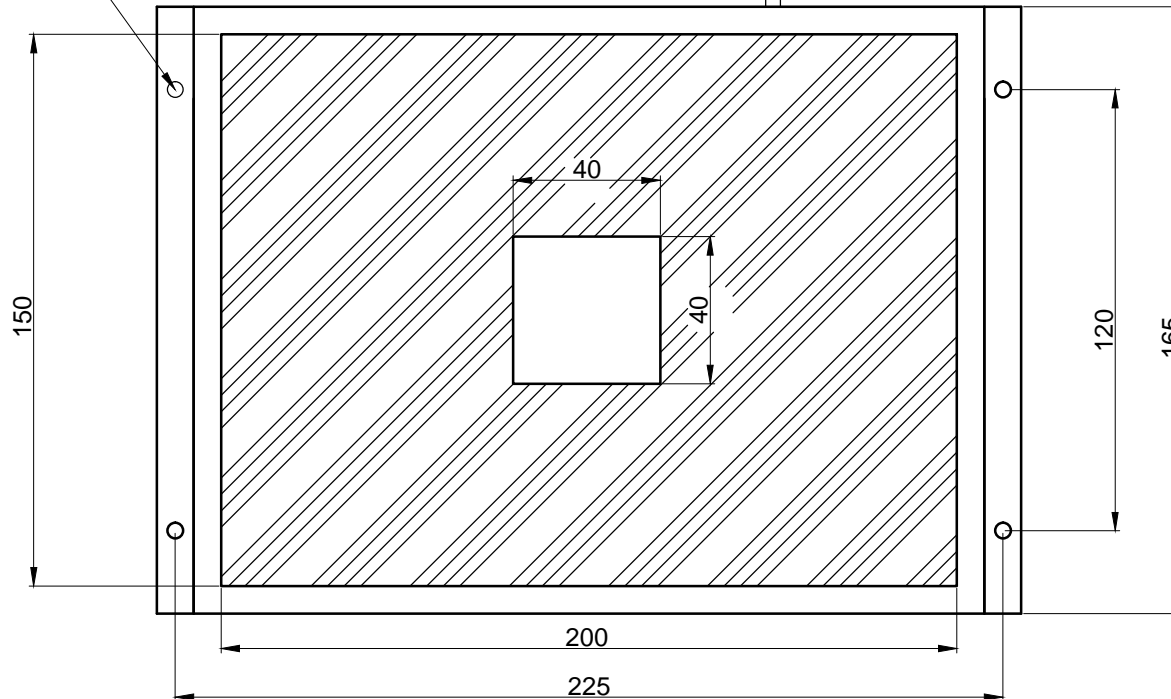


4- ϕ 4.2mm



SPECIFICATIONS PARAMETER	
OPERATING VOLTAGE	DC24-26V
RATED CURRENT	IR, R / W, G, B, V 800/1000mA
RATED POWER	IR, R / W, G, B, V 19.2/24W
PEAK CURRENT	IR, R / W, G, B, V 1600/2000mA
PEAK POWER	IR, R / W, G, B, V 38.4/48W
WAVELENGTH OF LIGHT	IR 850 nm
	R 620-625nm
	G 520-530nm
	B 465-470nm
	W 6500-7000K



PART NAME	HL-BK-150-200-H(40-40)		DATE	2015-10-8
UNIT: mm	TITLE	DRAWING LAYOUT	CHKD. BY	
			APPD. BY	
			DWG. NO	