

1

2

3

4

5

6

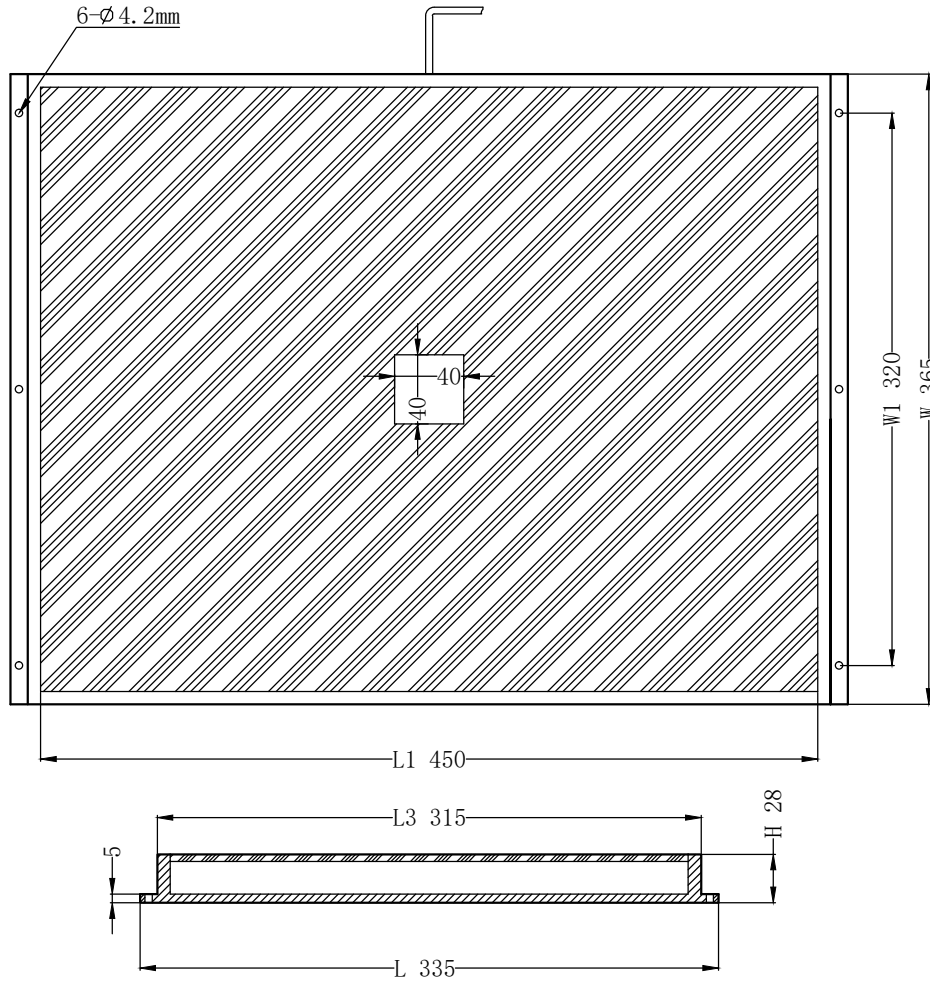
7

D

C

B

A



SPECIFICATIONS PARAMETER	
OPERATING VOLTAGE	DC24-26V
RATED CURRENT	IR、R / W、G、B、V 2/2.5A
RATED POWER	IR、R / W、G、B、V 48/60W
PEAK CURRENT	IR、R / W、G、B、V 4/5A
PEAK POWER	IR、R / W、G、B、V 96/120W
WAVELENGTH OF LIGHT	IR 850 nm
	R 620-625nm
	G 520-530nm
	B 465-470nm
	V 365-400nm
	W 6500-7000K



PART NAME	HL-BK-350-450-H (40-40)	DATE	2016-1-20
UNIT: mm	TITLE	DRAWING LAYOUT	DWN. BY
			CHKD. BY
			APPD. BY
			DWG. NO

1

2

3

4

5

6

7