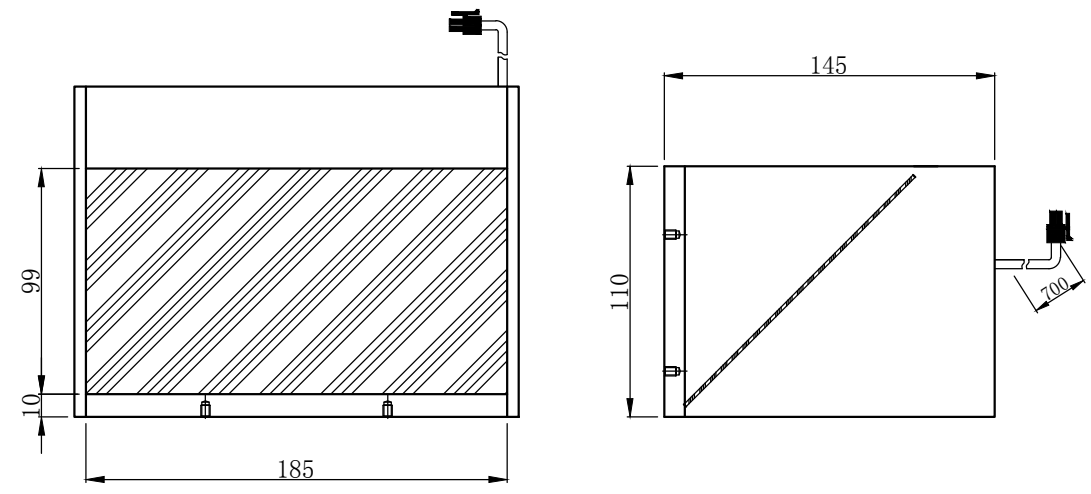


1 2 3 4 5 6 7

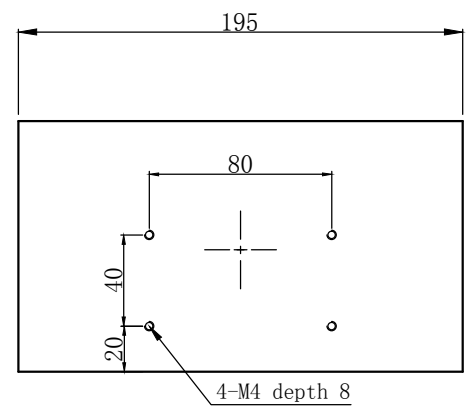
D

D



C

C



B

B

SPECIFICATIONS PARAMETER	
OPERATING VOLTAGE	DC24-26V
RATED CURRENT	IR, R / W, G, B 2A
RATED POWER	IR, R / W, G, B 48W
PEAK CURRENT	IR, R / W, G, B 4A
PEAK POWER	IR, R / W, G, B 96W
WAVELENGTH OF LIGHT	IR 850 nm
	R 620-625nm
	G 520-530nm
	B 465-470nm
	W 6500-7000K

A

A

	PART NAME	HL-CL-100-185		DATE	2014-12-9
	UNIT: mm	TITLE	DRAWING LAYOUT	DWN. BY	
				CHKD. BY	
				APPD. BY	
			DWG. NO		

1 2 3 4 5 6 7