

1

2

3

4

5

6

7

D

D

C

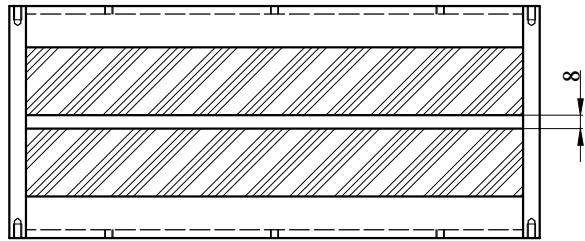
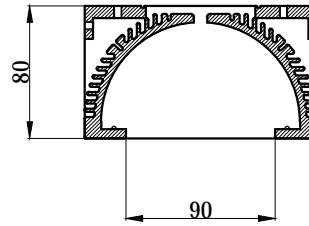
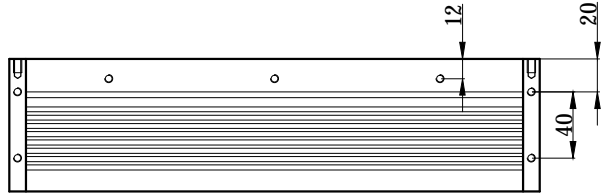
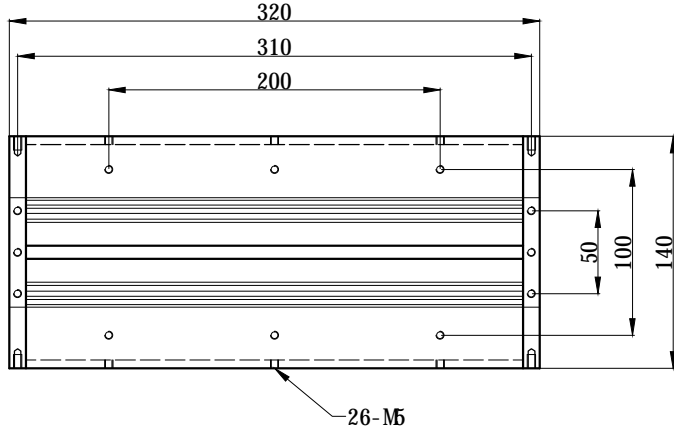
C

B

B

A

A



SPECIFICATIONS PARAMETER	
OPERATING VOLTAGE	DC24-26V
RATED CURRENT	IR, R, W, G, B 3.6A
RATED POWER	IR, R, W, G, B 86.4W
PEAK CURRENT	IR, R, W, G, B 7.2A
PEAK POWER	IR, R, W, G, B 172.8W
WAVELENGTH OF LIGHT	IR 850 nm
	R 620-625nm
	G 520-530nm
	B 465-470nm
	W 6500-7000K



PART NAME	HL-DOML-300		DATE	2016-1-22
	UNIT: mm	TITLE	DRAWING LAYOUT	DWN. BY
				CHKD. BY
				APPD. BY
			DWG. NO	

1

2

3

4

5

6

7