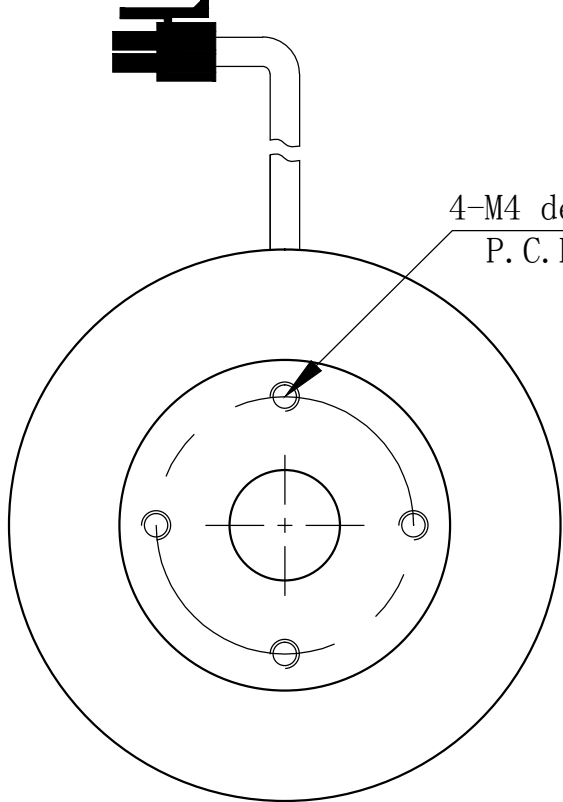
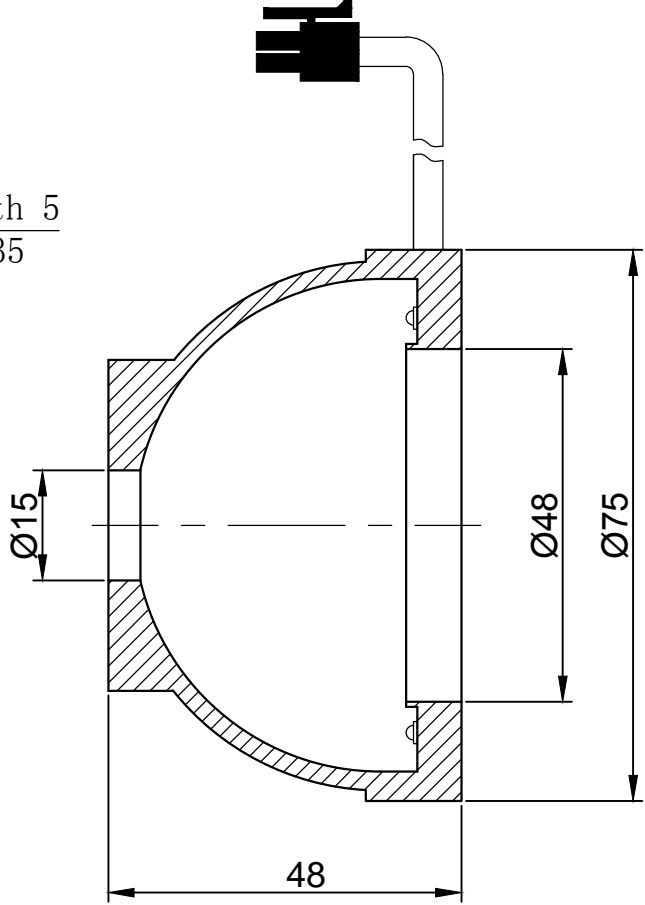


1 2 3 4 5 6 7

D
C
B
A



4-M4 depth 5
P.C.D 35



SPECIFICATIONS PARAMETER	
OPERATING VOLTAGE	DC24-26V
RATED CURRENT	R / W, G, B 200/300mA
RATED POWER	R / W, G, B 4.8/7.2W
PEAK CURRENT	R / W, G, B 400/600mA
PEAK POWER	R / W, G, B 9.6/14.4W
WAVELENGTH OF LIGHT	R 620-625nm
	G 520-530nm
	B 465-470nm
	W 6500-7000K



PART NAME	HL-DOM-75	DATE	2013-3-27
UNIT: mm	TITLE	DWN. BY	
	DRAWING LAYOUT	CHKD. BY	
		APPD. BY	
		DWG. NO	

1 2 3 4 5 6 7