

1 2 3 4 5 6 7

D

D

C

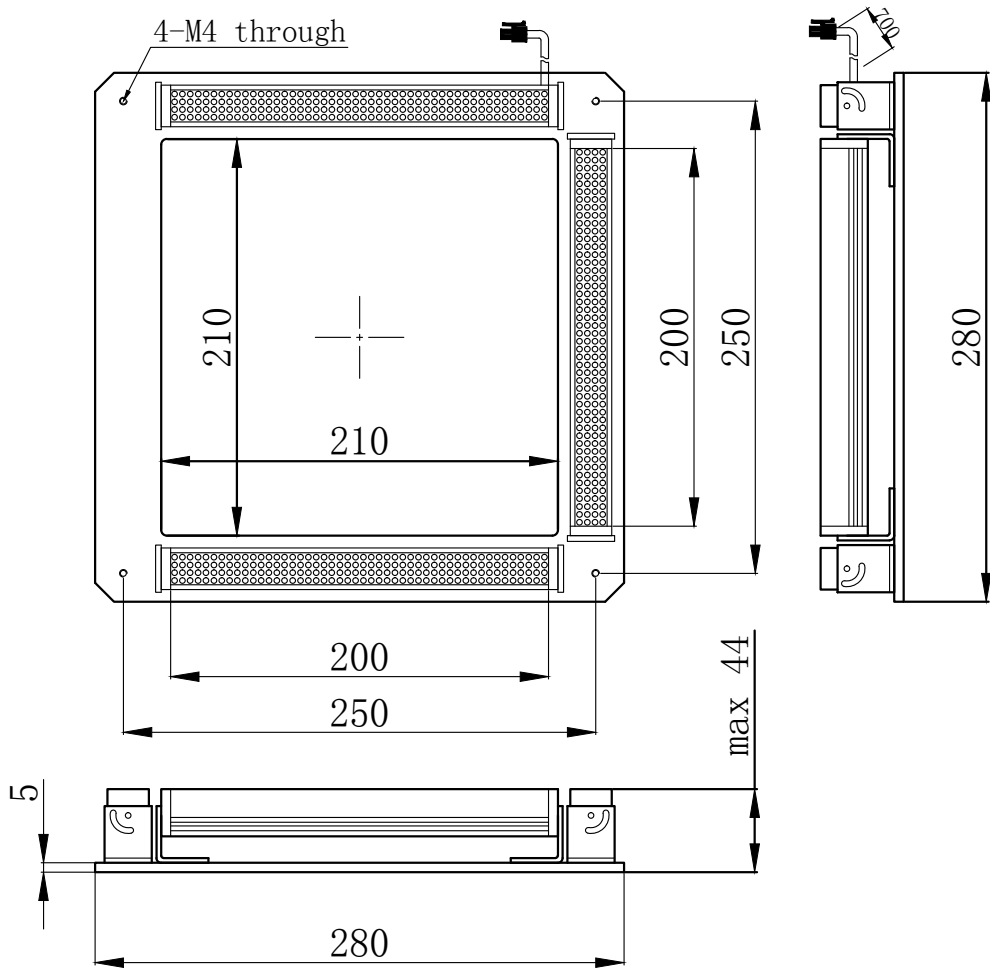
C

B

B

A

A



SPECIFICATIONS PARAMETER	
OPERATING VOLTAGE	DC24-26V
RATED CURRENT	IR, R/W, G, B, V 600/900mA
RATED POWER	IR, R/W, G, B, V 14.4/21.6W
PEAK CURRENT	IR, R/W, G, B, V 1200/1800mA
PEAK POWER	IR, R/W, G, B, V 28.8/43.2W
WAVELENGTH OF LIGHT	IR 940nm
	R 620-625nm
	G 520-530nm
	B 465-470nm
	V 365-400nm
	W 6500-7000K



PART NAME	HL-F3LN-200-200		DATE	2015-3-2
	UNIT: mm	TITLE	CHKD. BY	
		DRAWING LAYOUT	APPD. BY	
			DWG. NO	

1 2 3 4 5 6 7