

1

2

3

4

5

6

7

D

C

B

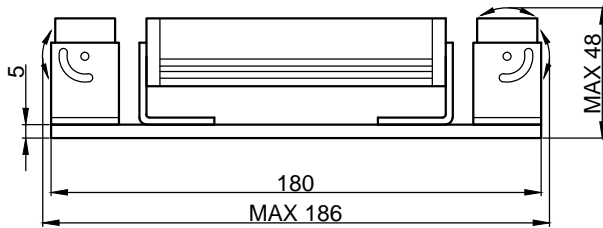
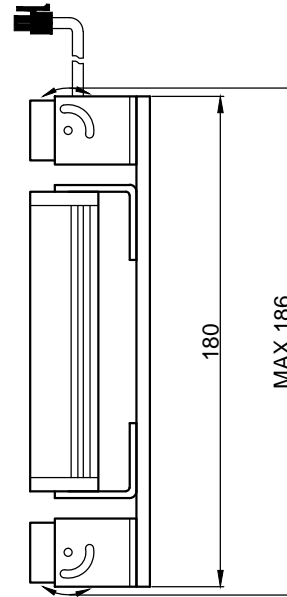
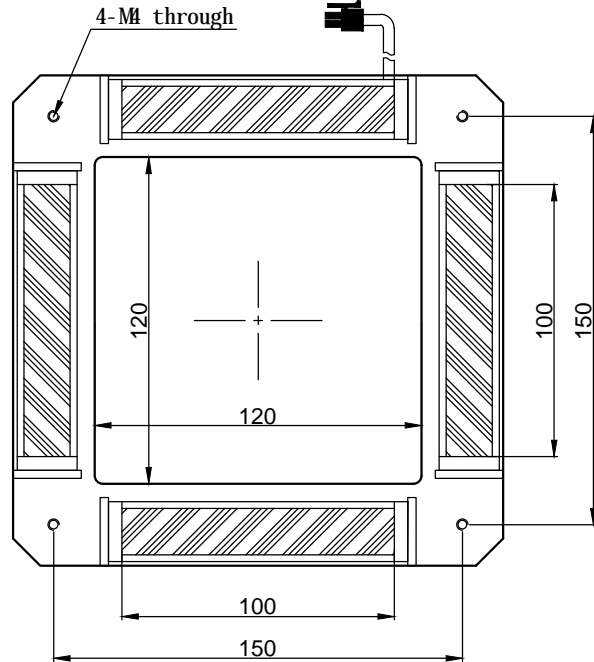
A

D

C

B

A



SPECIFICATIONS PARAMETER	
OPERATING VOLTAGE	DC24-26V
RATED CURRENT	IR / R / W.G. B 480/600mA
RATED POWER	IR / R / W.G. B 11.52/14.4W
PEAK CURRENT	IR / R / W.G. B 960/1200mA
PEAK POWER	IR / R / W.G. B 23.04/28.8W
WAVELENGTH OF LIGHT	IR 850nm
	R 620-625nm
	G 520-530nm
	B 465-470nm
	W 6500-7000K



PART NAME	HL-FLND-100-100		DATE	2013-6-8
	UNIT: mm	TITLE	DRAWING LAYOUT	CHKD. BY
			APPD. BY	
			DWG. NO	

1

2

3

4

5

6

7