

1

2

3

4

5

6

7

D

C

B

A

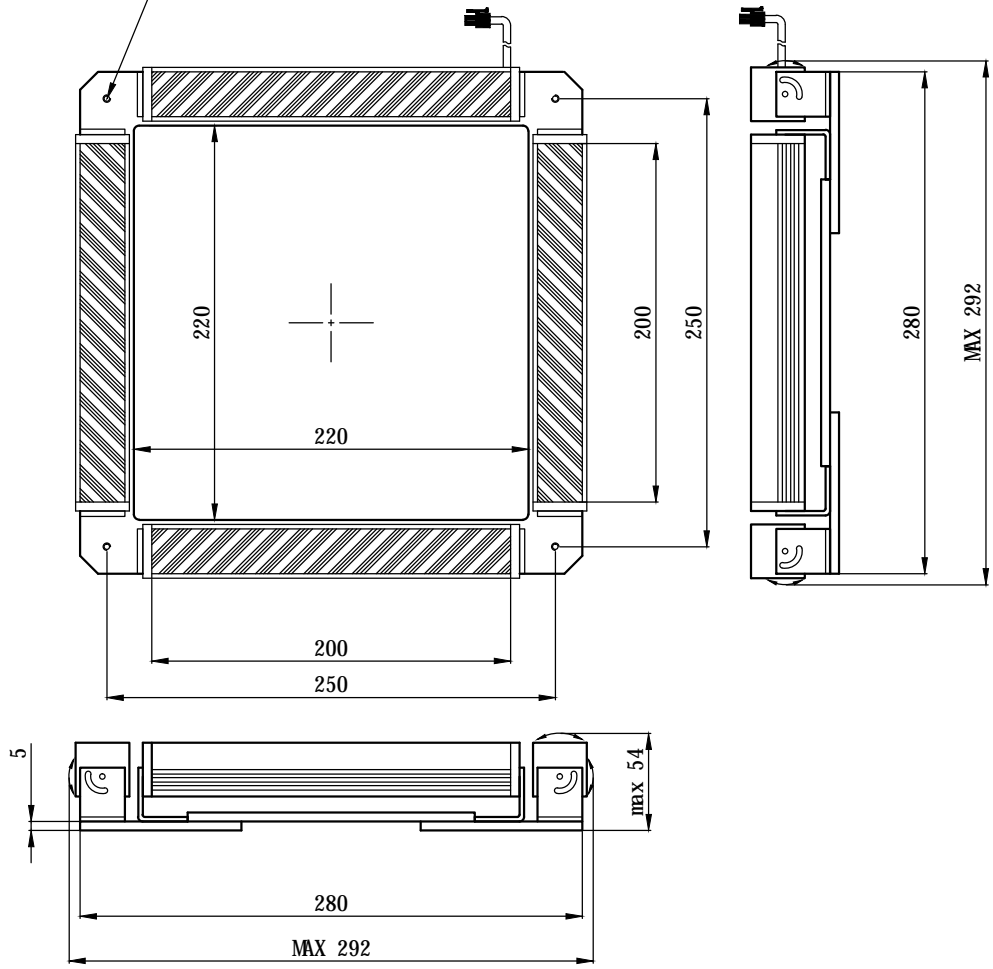
D

C

B

A

4-M through



SPECIFICATIONS PARAMETER	
OPERATING VOLTAGE	DC24-26V
RATED CURRENT	IR, R / W, G, B 1200/1600mA
RATED POWER	IR, R / W, G, B 28.8/38.4W
PEAK CURRENT	IR, R / W, G, B 2400/3200mA
PEAK POWER	IR, R / W, G, B 57.6/76.8W
WAVELENGTH OF LIGHT	IR 850nm
	R 620-625nm
	G 520-530nm
	B 465-470nm
	V 365-400nm
	W 6500-7000K



PART NAME	HL-FLWD-200-200		DATE	2013-6-8
	UNIT: mm	TITLE	DRAWING LAYOUT	CHKD. BY
			APPD. BY	
			DWG. NO	

1

2

3

4

5

6

7