

1

2

3

4

5

6

7

D

D

C

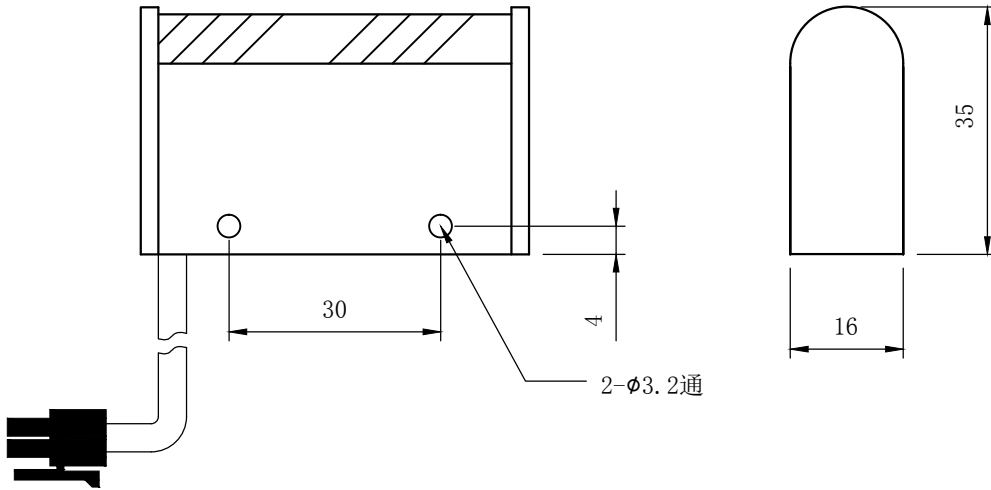
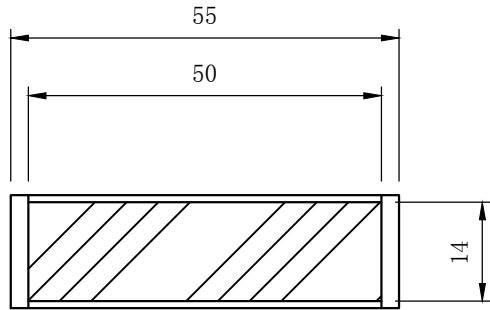
C

B

B

A

A



2- $\phi$ 3.2通

SPECIFICATIONS PARAMETER	
OPERATING VOLTAGE	DC24-26V
RATED CURRENT	W, G, B, V 200mA
RATED POWER	W, G, B, V 4.8W
PEAK CURRENT	W, G, B, V 400mA
PEAK POWER	W, G, B, V 9.6W
WAVELENGTH OF LIGHT	R 620-625nm
	G 520-530nm
	B 465-470nm
	W 6500-7000K



PART NAME	HL-HL16D-50		DATE	2015-11-25
UNIT: mm	TITLE	DRAWING LAYOUT	DWN. BY	
			CHKD. BY	
			APPD. BY	
			DWG. NO	

1

2

3

4

5

6

7