

1

2

3

4

5

6

7

D

D

C

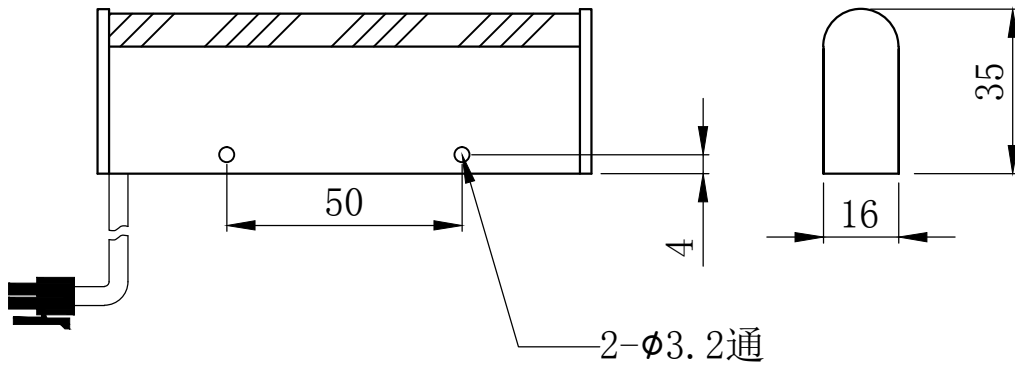
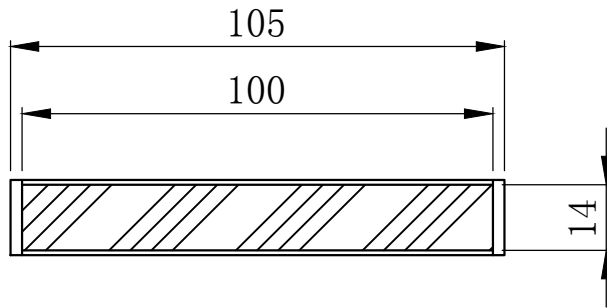
C

B

B

A

A



| SPECIFICATIONS PARAMETER | |
|--------------------------|-------------------------|
| OPERATING VOLTAGE | DC24-26V |
| RATED CURRENT | IR/W、G、B、V 200/300mA |
| RATED POWER | IR/W、G、B、V 4.8/7.2W |
| PEAK CURRENT | IR/W、G、B、V 400/600mA |
| PEAK POWER | IR/W、G、B、V 9.6/14.4W |
| WAVELENGTH OF LIGHT | R 620-625nm |
| | G 520-530nm |
| | B 465-470nm |
| | W 6500-7000K |



| | | | | |
|-----------|--------------|----------------|----------|------------|
| PART NAME | HL-HL16D-100 | | DATE | 2015-11-25 |
| UNIT: mm | TITLE | DRAWING LAYOUT | DWN. BY | |
| | | | CHKD. BY | |
| | | | APPD. BY | |
| | | | DWG. NO | |

1

2

3

4

5

6

7