

1 2 3 4 5 6 7

D

D

C

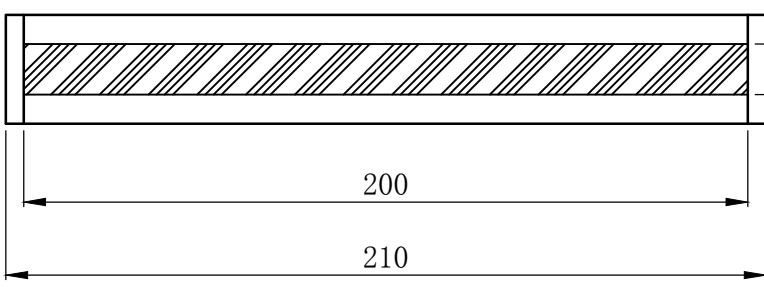
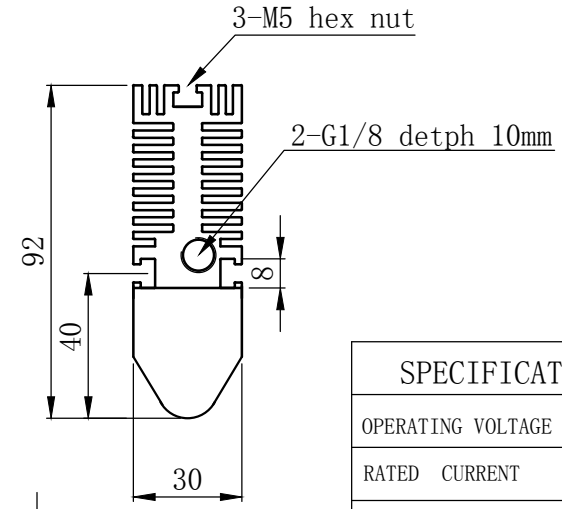
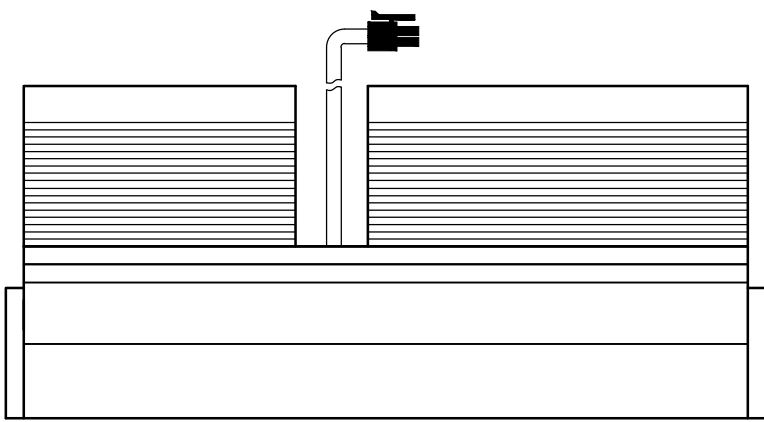
C

B

B

A

A



SPECIFICATIONS PARAMETER	
OPERATING VOLTAGE	DC24-26V
RATED CURRENT	IR/W、G、B、V 800/1200mA
RATED POWER	IR/W、G、B、V 19.2/28.8W
PEAK CURRENT	IR/W、G、B、V 1.6/2.4mA
PEAK POWER	IR/W、G、B、V 38.4/57.6W
WAVELENGTH OF LIGHT	IR 850 nm
	G 520-530nm
	B 465-470nm
	V 365-400nm
	W 6500-7000K



PART NAME	HL-HL14(D)-200		DATE	2015-11-25
UNIT: mm	TITLE	DRAWING LAYOUT	DWN. BY	
			CHKD. BY	
			APPD. BY	
			DWG. NO	

1 2 3 4 5 6 7