

1 2 3 4 5 6 7

D

D

C

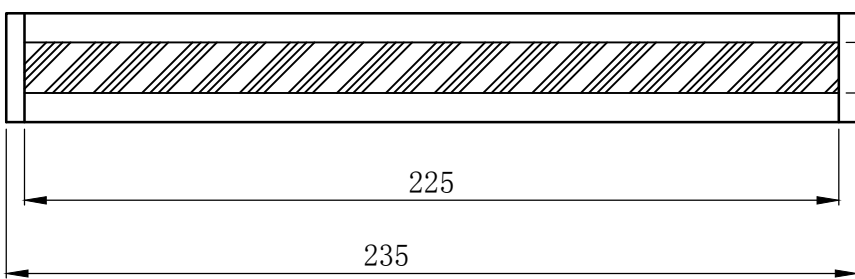
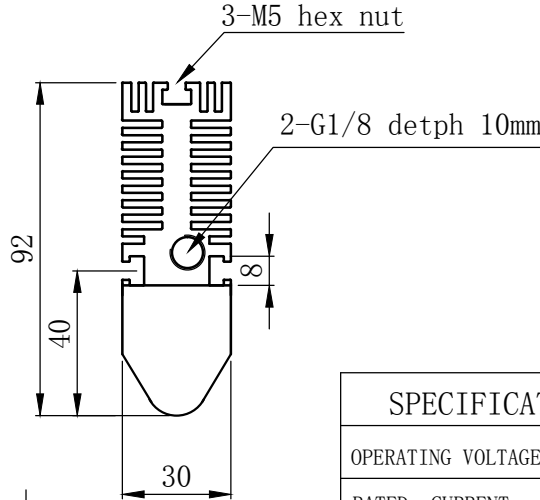
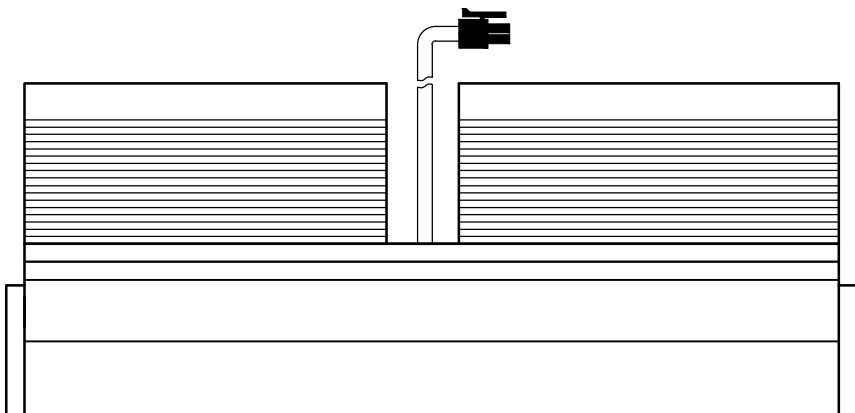
C

B

B

A

A



SPECIFICATIONS PARAMETER	
OPERATING VOLTAGE	DC24-26V
RATED CURRENT	R, W, G, B, V 900mA
RATED POWER	R, W, G, B, V 21.6W
PEAK CURRENT	R, W, G, B, V 1.8A
PEAK POWER	R, W, G, B, V 43.2W
WAVELENGTH OF LIGHT	R 620-625nm
	G 520-530nm
	B 465-470nm
	V 365-400nm
	W 6500-7000K



PART NAME	HL-HL14(D)-225	DATE	2015-11-25
UNIT: mm	TITLE	DRAWING LAYOUT	DWN. BY
			CHKD. BY
			APPD. BY
			DWG. NO

1 2 3 4 5 6 7