

1

2

3

4

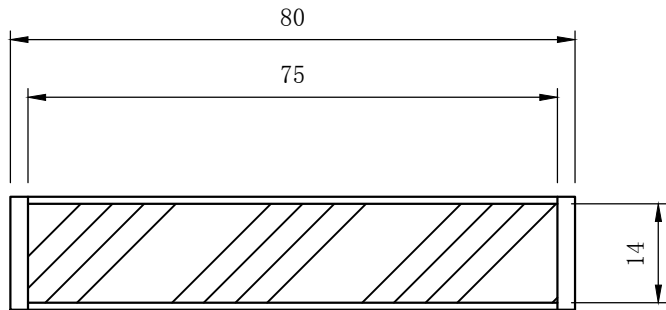
5

6

7

D

D



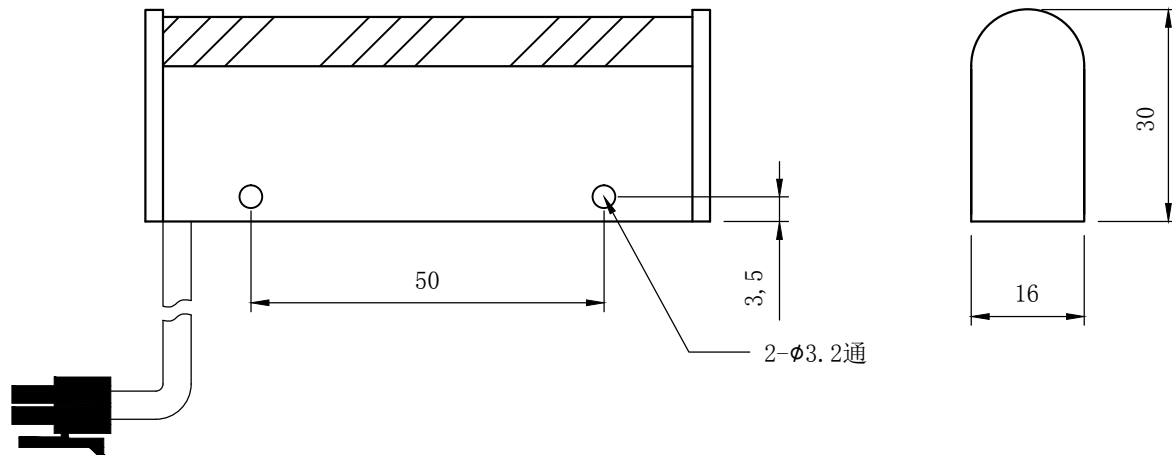
C

C

SPECIFICATIONS PARAMETER	
OPERATING VOLTAGE	DC24-26V
RATED CURRENT	200mA
RATED POWER	4.8W
PEAK CURRENT	400mA
PEAK POWER	9.6W
WAVELENGTH OF LIGHT	R 620-625nm

B

B



A

A



PART NAME	HL-HL16-75-R		DATE	2015-11-25
UNIT: mm	TITLE	DRAWING LAYOUT	DWN. BY	
			CHKD. BY	
			APPD. BY	
			DWG. NO	

1

2

3

4

5

6

7