

1

2

3

4

5

6

7

D

D

C

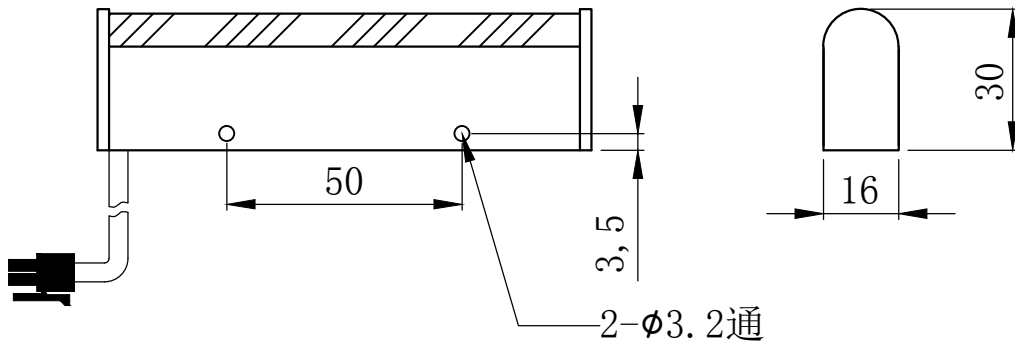
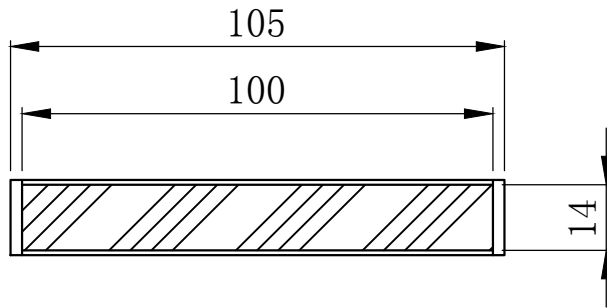
C

B

B

A

A



SPECIFICATIONS PARAMETER	
OPERATING VOLTAGE	DC24-26V
RATED CURRENT	IR/W、G、B、V 200/300mA
RATED POWER	IR/W、G、B、V 4.8/7.2W
PEAK CURRENT	IR/W、G、B、V 400/600mA
PEAK POWER	IR/W、G、B、V 9.6/14.4W
WAVELENGTH OF LIGHT	IR 850 nm
	G 520-530nm
	B 465-470nm
	V 365-400nm
	W 6500-7000K



PART NAME	HL-HL16-100		DATE	2015-11-25
UNIT: mm	TITLE	DRAWING LAYOUT	DWN. BY	
			CHKD. BY	
			APPD. BY	
			DWG. NO	

1

2

3

4

5

6

7