

1 2 3 4 5 6 7

D

D

C

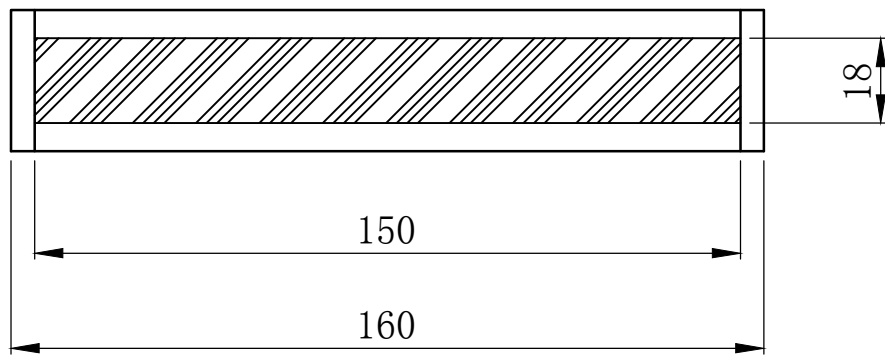
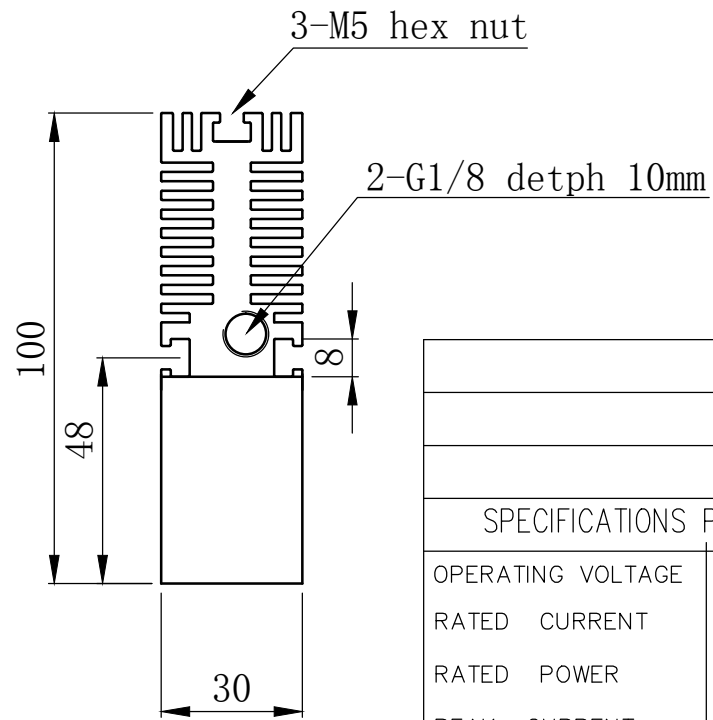
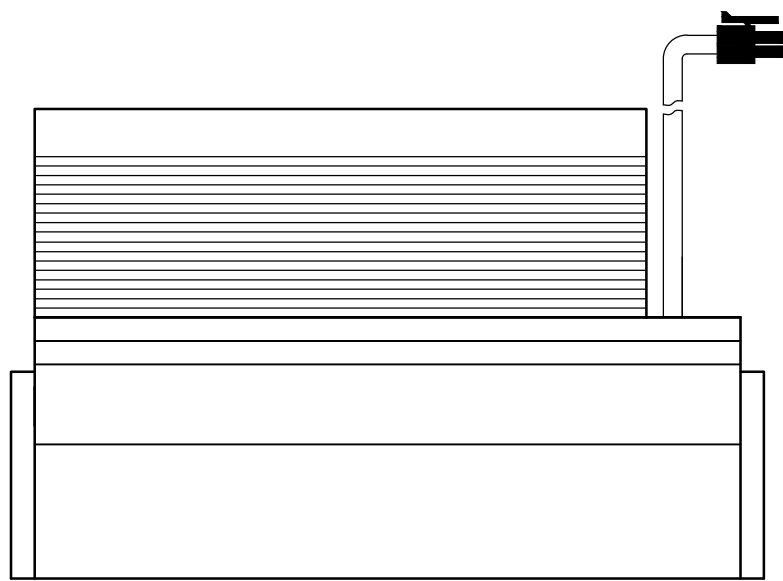
C

B

B

A

A



| SPECIFICATIONS PARAMETER | |
|--------------------------|--------------------------------|
| OPERATING VOLTAGE | DC24-26V |
| RATED CURRENT | IR, R/W, G, B, V 600/900mA |
| RATED POWER | IR, R/W, G, B, V 14.4/21.6W |
| PEAK CURRENT | IR, R/W, G, B, V 1.2/1.8A |
| PEAK POWER | IR, R/W, G, B, V 28.8/43.2W |
| WAVELENGTH OF LIGHT | IR 850 nm |
| | R 620-625nm |
| | G 520-530nm |
| | B 465-470nm |
| | V 365-400nm |
| W | 6500-7000K |



| | | | | |
|-----------|----------------|----------------|----------|------------|
| PART NAME | HL-HL18(D)-150 | | DATE | 2015-11-25 |
| UNIT: mm | TITLE | DRAWING LAYOUT | DWN. BY | |
| | | | CHKD. BY | |
| | | | APPD. BY | |
| | | | DWG. NO | |

1 2 3 4 5 6 7