

1

2

3

4

5

6

7

D

D

C

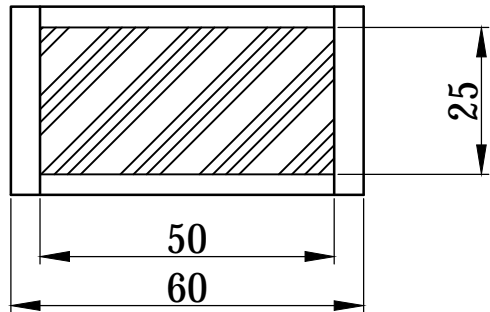
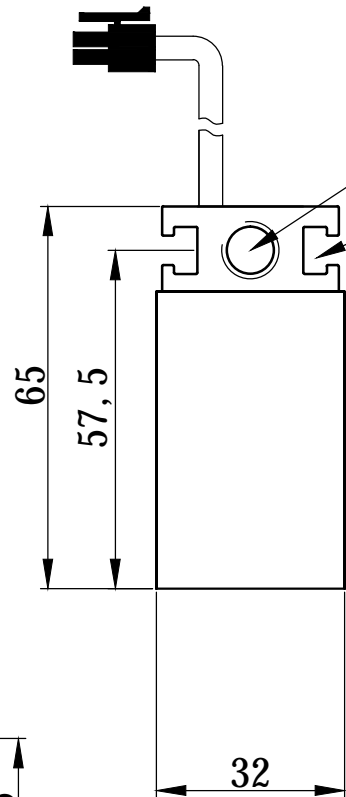
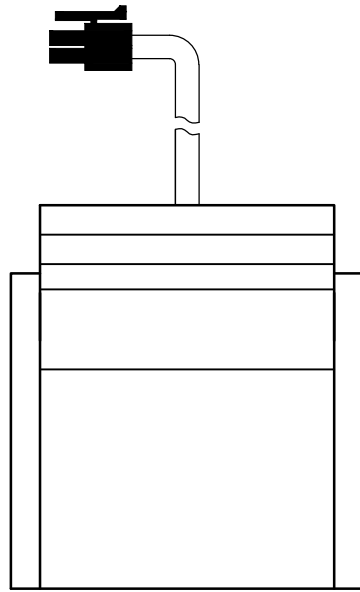
C

B

B

A

A



2-G1/8 detph10mm

2-M6 hex nut

SPECIFICATIONS PARAMETER	
OPERATING VOLTAGE	DC24-26V
RATED CURRENT	R、W、G、B、V 400mA
RATED POWER	R、W、G、B、V 9.6W
PEAK CURRENT	R、W、G、B、V 800mA
PEAK POWER	R、W、G、B、V 19.2W
WAVELENGTH OF LIGHT	G 520-530nm
	B 465-470nm
	V 365-400nm
	W 6500-7000K



PART NAME	HL-HL25(D)-50		DATE	2015-11-25
UNIT: mm	TITLE	DRAWING LAYOUT	DWN. BY	
			CHKD. BY	
			APPD. BY	
			DWG. NO	

1

2

3

4

5

6

7