

1

2

3

4

5

6

7

D

D

C

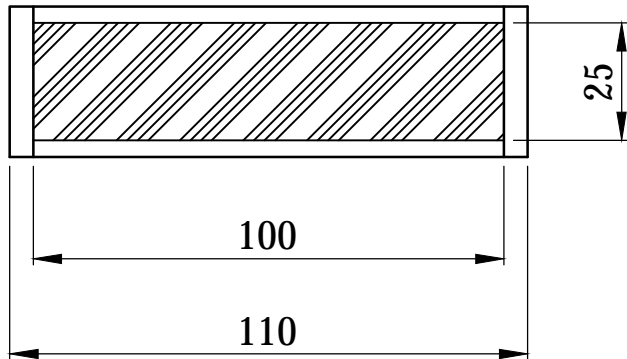
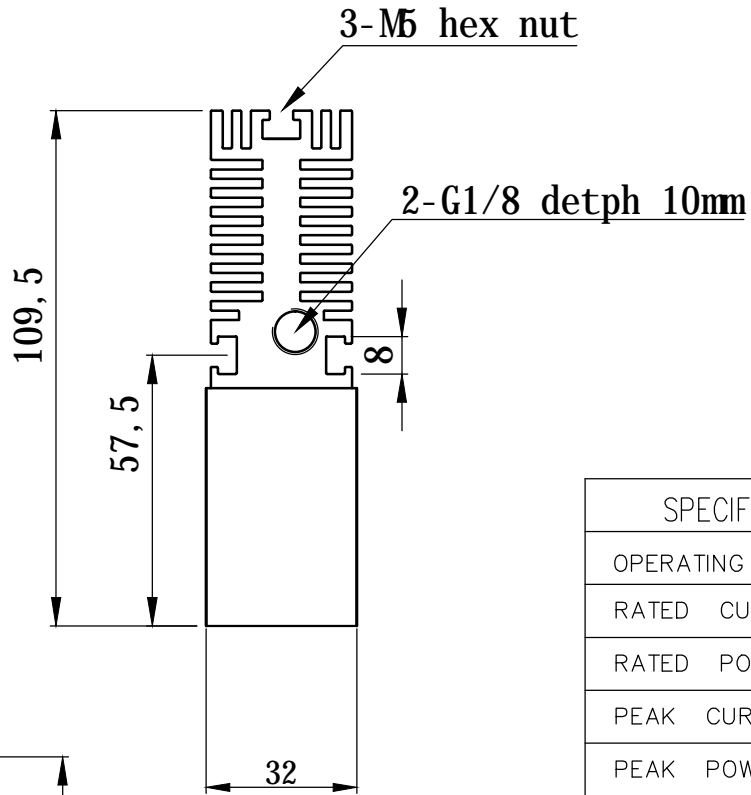
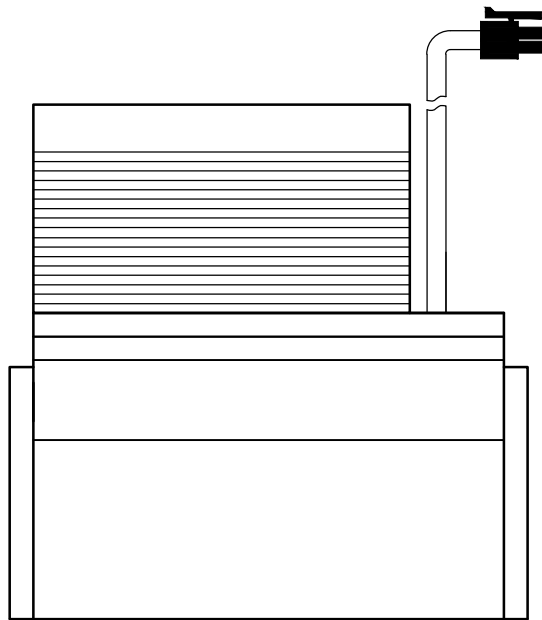
C

B

B

A

A



SPECIFICATIONS PARAMETER	
OPERATING VOLTAGE	DC24-26V
RATED CURRENT	IR/W. G. B. V 400/600mA
RATED POWER	IR/W. G. B. V 9.6/14.4W
PEAK CURRENT	IR/W. G. B. V 800/1200mA
PEAK POWER	IR/W. G. B. V 19.2/28.8W
WAVELENGTH OF LIGHT	IR 850 nm
	R 620-625nm
	G 520-530nm
	B 465-470nm
	V 365-400nm
	W 6500-7000K



PART NAME	HL-HL25(D)-100		DATE	2015-11-25
UNIT: mm	TITLE	DRAWING LAYOUT	DWN. BY	
			CHKD. BY	
			APPD. BY	
			DWG. NO	

1

2

3

4

5

6

7