

1

2

3

4

5

6

7

D

D

C

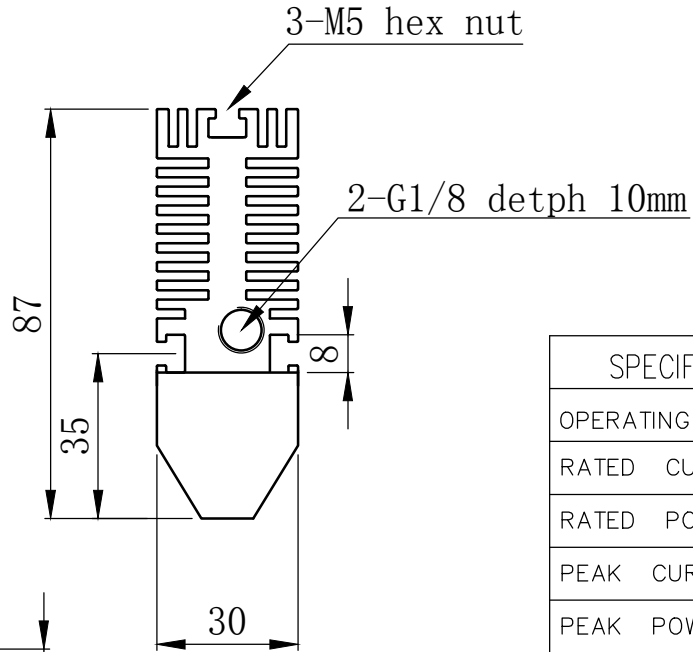
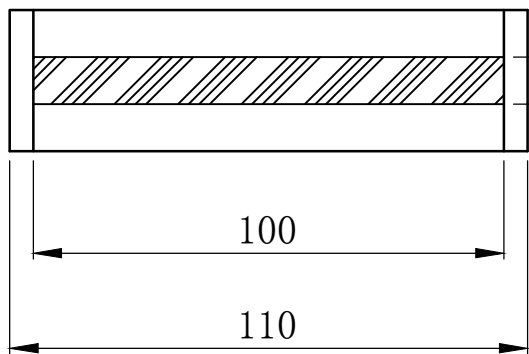
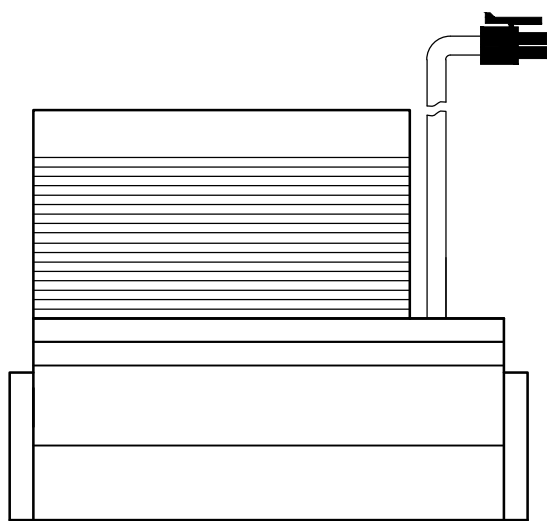
C

B

B

A

A



SPECIFICATIONS PARAMETER	
OPERATING VOLTAGE	DC24-26V
RATED CURRENT	IR/W, G, B, V 400/600mA
RATED POWER	IR/W, G, B, V 9.6/14.4W
PEAK CURRENT	IR/W, G, B, V 800/1200mA
PEAK POWER	IR/W, G, B, V 19.2/28.8W
WAVELENGTH OF LIGHT	IR 850 nm
	G 520-530nm
	B 465-470nm
	V 365-400nm
	W 6500-7000K



PART NAME	HL-HL (D) -100		DATE	2013-3-27
UNIT: mm	TITLE	DRAWING LAYOUT	DWN. BY	
			CHKD. BY	
			APPD. BY	
			DWG. NO	

1

2

3

4

5

6

7