

1

2

3

4

5

6

7

D

D

C

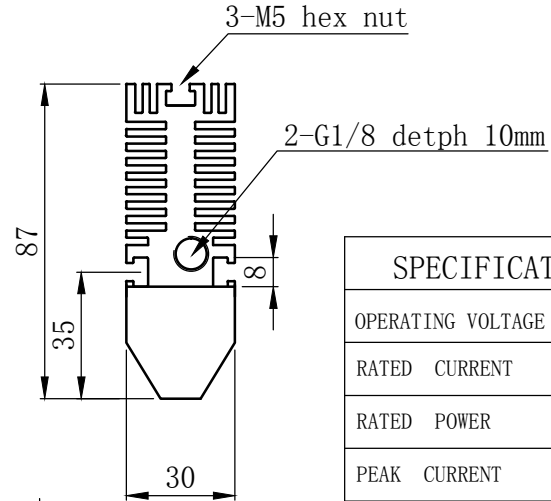
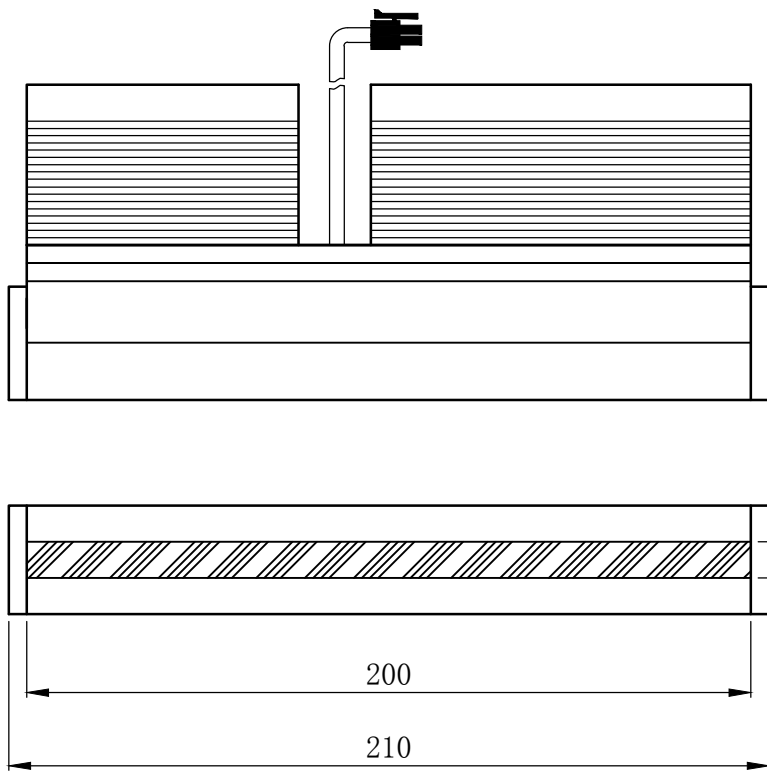
C

B

B

A

A



SPECIFICATIONS PARAMETER	
OPERATING VOLTAGE	DC24-26V
RATED CURRENT	IR/W、G、B、V 800/1200mA
RATED POWER	IR/W、G、B、V 19.2/28.8W
PEAK CURRENT	IR/W、G、B、V 1.6/2.4mA
PEAK POWER	IR/W、G、B、V 38.4/57.6W
WAVELENGTH OF LIGHT	IR 850 nm
	G 520-530nm
	B 465-470nm
	V 365-400nm
	W 6500-7000K



PART NAME	HL-HL (D) -200	DATE	2013-3-27
UNIT: mm	TITLE	DRAWING LAYOUT	CHKD. BY
			APPD. BY
			DWG. NO

1

2

3

4

5

6

7