

1 2 3 4 5 6 7

D

D

C

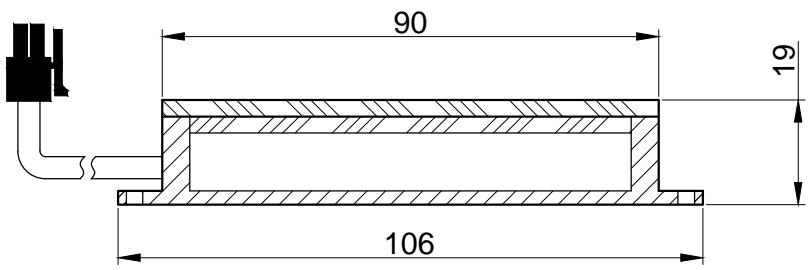
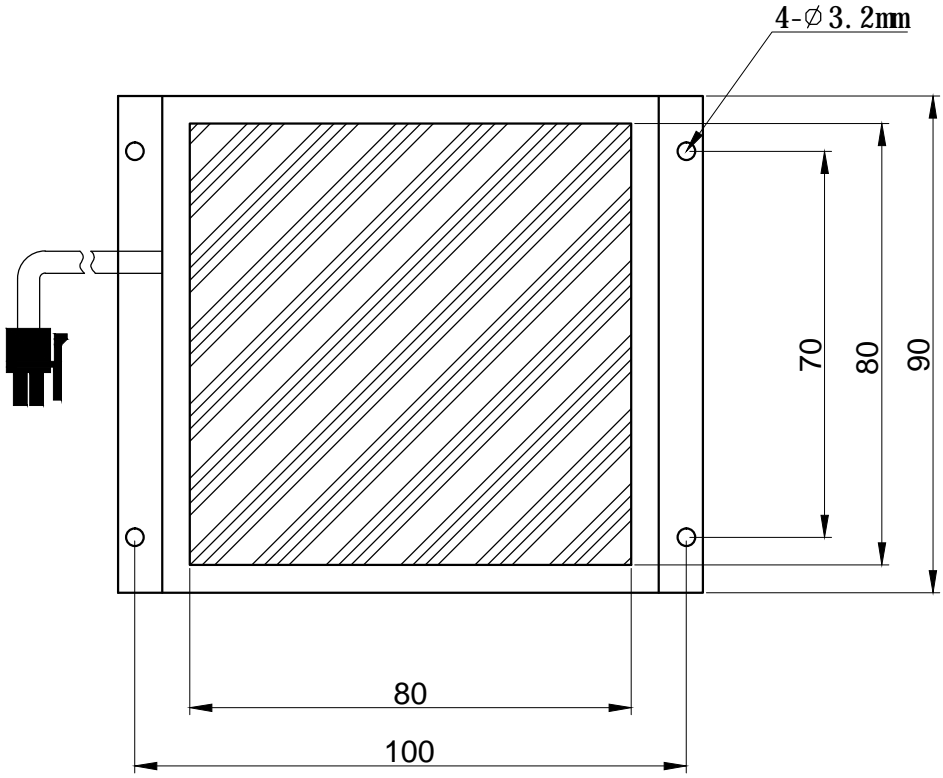
C

B

B

A

A



SPECIFICATIONS PARAMETER	
OPERATING VOLTAGE	DC24-26V
RATED CURRENT	IR, R / W, G, B 180/270mA
RATED POWER	IR, R / W, G, B 4.32/6.48W
PEAK CURRENT	IR, R / W, G, B 360/540mA
PEAK POWER	IR, R / W, G, B 8.64/12.96W
WAVELENGTH OF LIGHT	IR 850 nm
	R 620-625nm
	G 520-530nm
	B 465-470nm
	W 6500-7000K



PART NAME	HL-BKP-80-80		DATE	2015-7-16
UNIT: mm	TITLE	DRAWING LAYOUT	CHKD. BY	
			APPD. BY	
			DWG. NO	

1 2 3 4 5 6 7