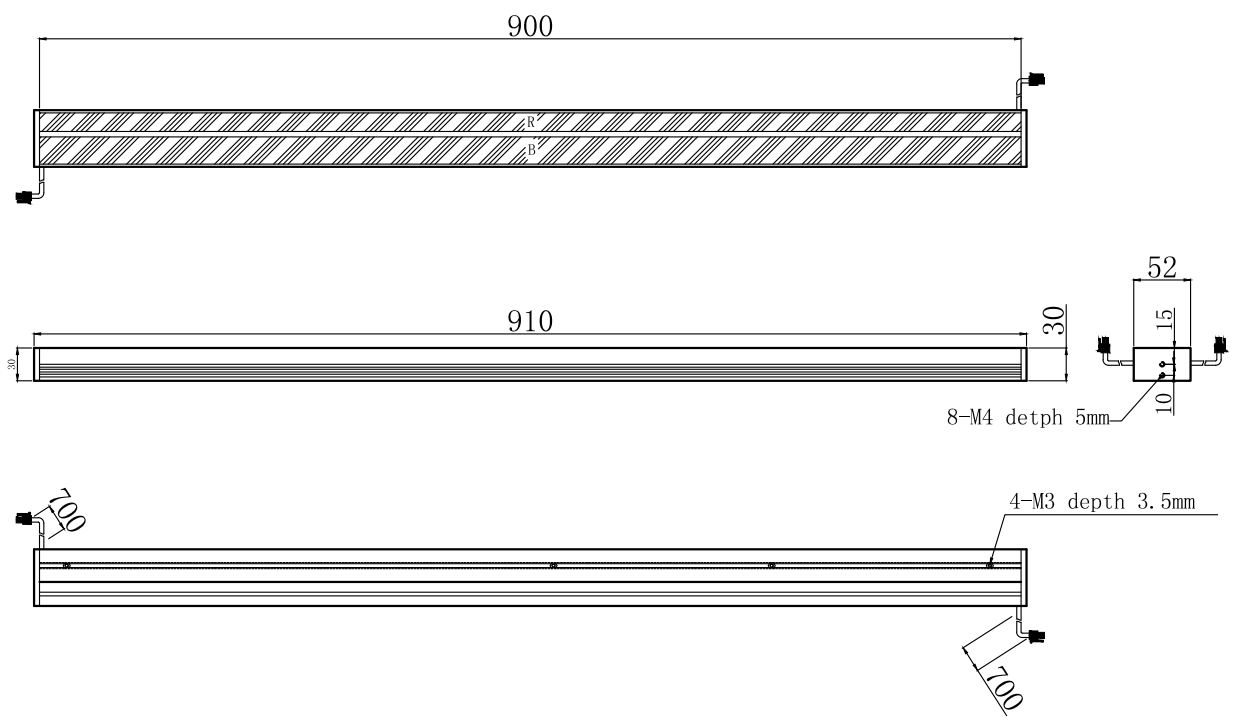


1 2 3 4 5 6 7

D D



SPECIFICATIONS PARAMETER	
OPERATING VOLTAGE	DC24-26V
RATED CURRENT	R+B 1080+2400mA
RATED POWER	R+B 25.9+57.6W
PEAK CURRENT	R+B 1900+4300mA
PEAK POWER	IR+B 45.6+103W
WAVELENGTH OF LIGHT	R 620-625nm
	B 465-470nm

B B

A A

	PART NAME	HL-L40-900-4R+6B		DATE	2014-1-9
	UNIT: mm	TITLE	DRAWING LAYOUT	DWN. BY	
				CHKD. BY	
				APPD. BY	
				DWG. NO	

1 2 3 4 5 6 7