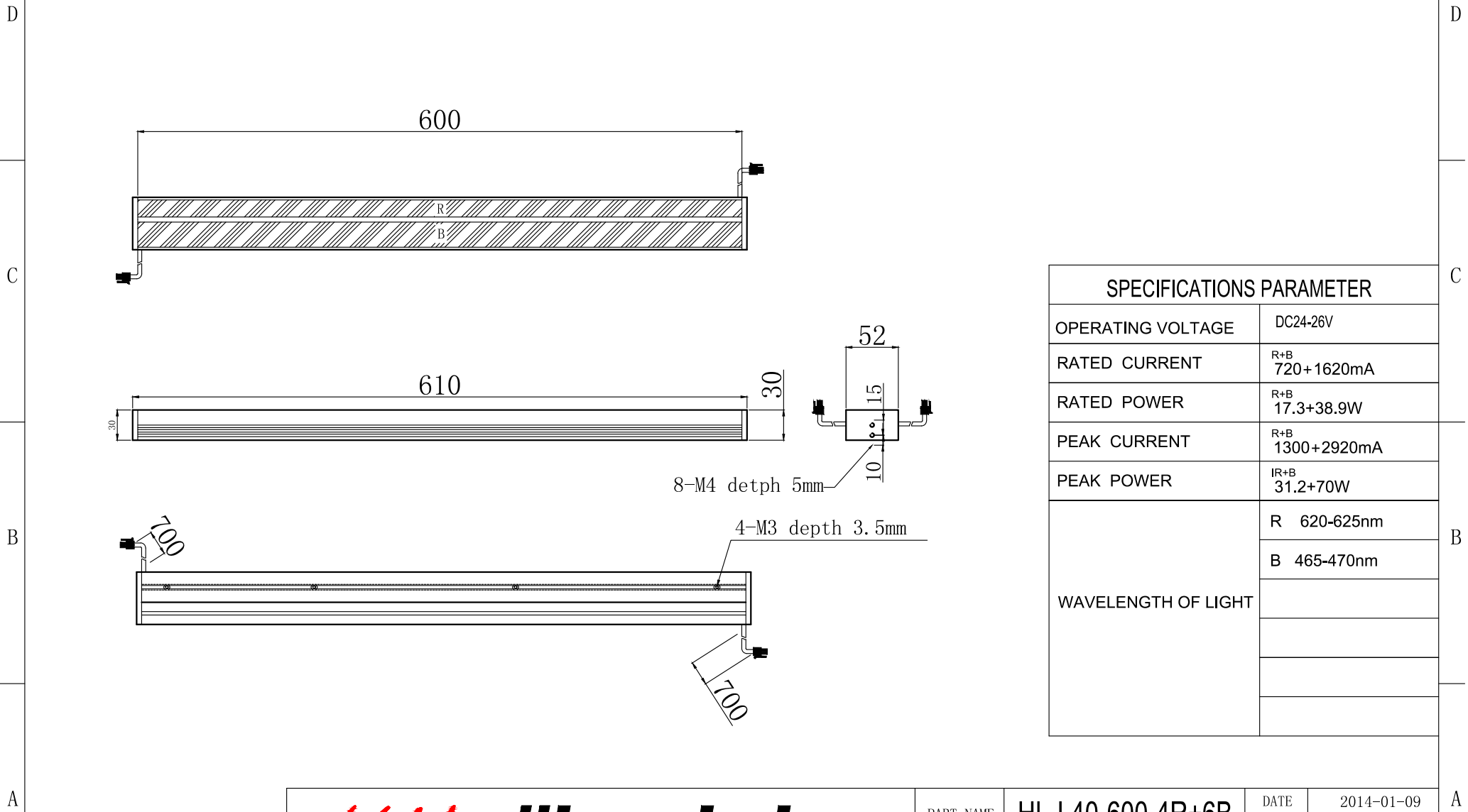


1 2 3 4 5 6 7



SPECIFICATIONS PARAMETER	
OPERATING VOLTAGE	DC24-26V
RATED CURRENT	R+B 720+1620mA
RATED POWER	R+B 17.3+38.9W
PEAK CURRENT	R+B 1300+2920mA
PEAK POWER	IR+B 31.2+70W
WAVELENGTH OF LIGHT	R 620-625nm
	B 465-470nm

	PART NAME	HL-L40-600-4R+6B		DATE	2014-01-09
	UNIT: mm	TITLE	DRAWING LAYOUT	DWN. BY	
				CHKD. BY	
				APPD. BY	
				DWG. NO	

1 2 3 4 5 6 7