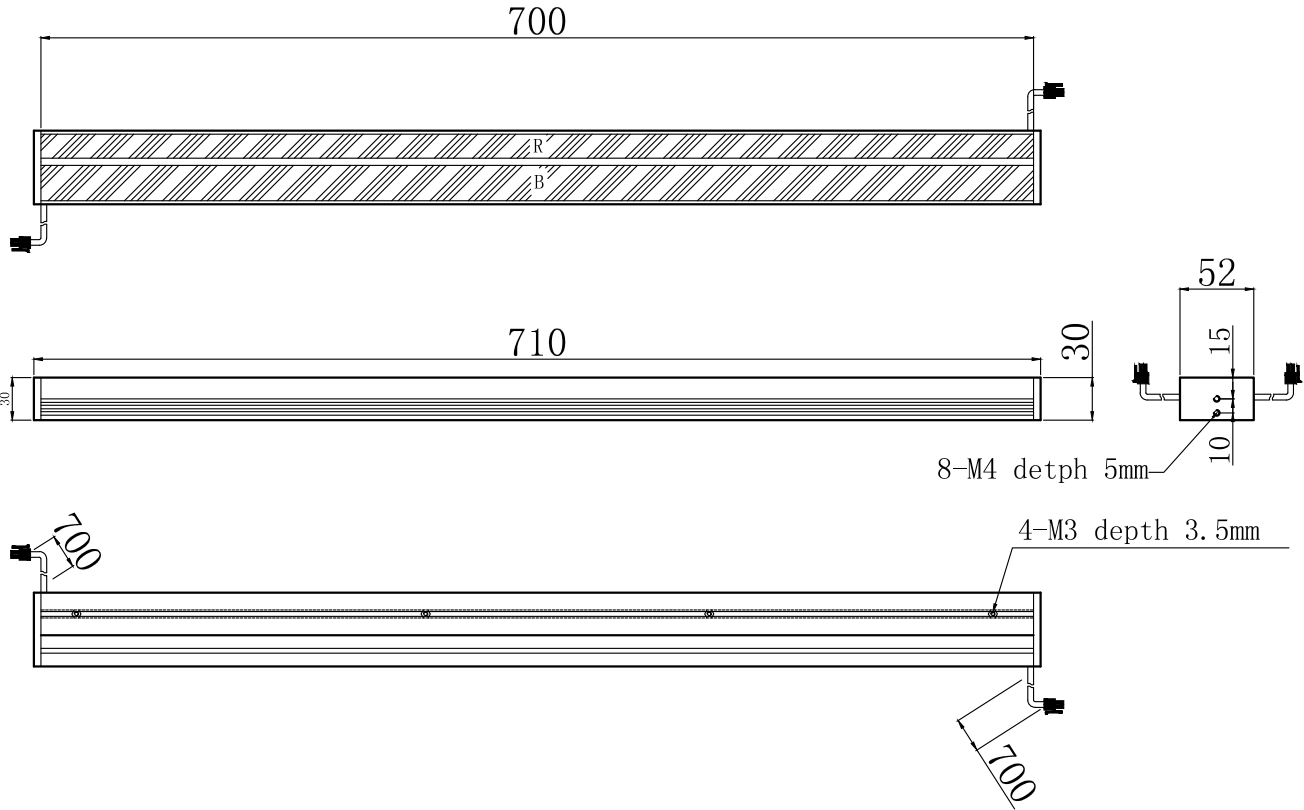


1 2 3 4 5 6 7

D D



SPECIFICATIONS PARAMETER	
OPERATING VOLTAGE	DC24-26V
RATED CURRENT	R+B 840+1890mA
RATED POWER	R+B 20.2+45.4W
PEAK CURRENT	R+B 1500+3400mA
PEAK POWER	IR+B 36+81.6W
WAVELENGTH OF LIGHT	R 620-625nm
	B 465-470nm

B B

A A

	PART NAME	HL-L40-700-4R+6B		DATE	2014-1-9
	UNIT: mm	TITLE	DRAWING LAYOUT	DWN. BY	
				CHKD. BY	
				APPD. BY	
			DWG. NO		

1 2 3 4 5 6 7