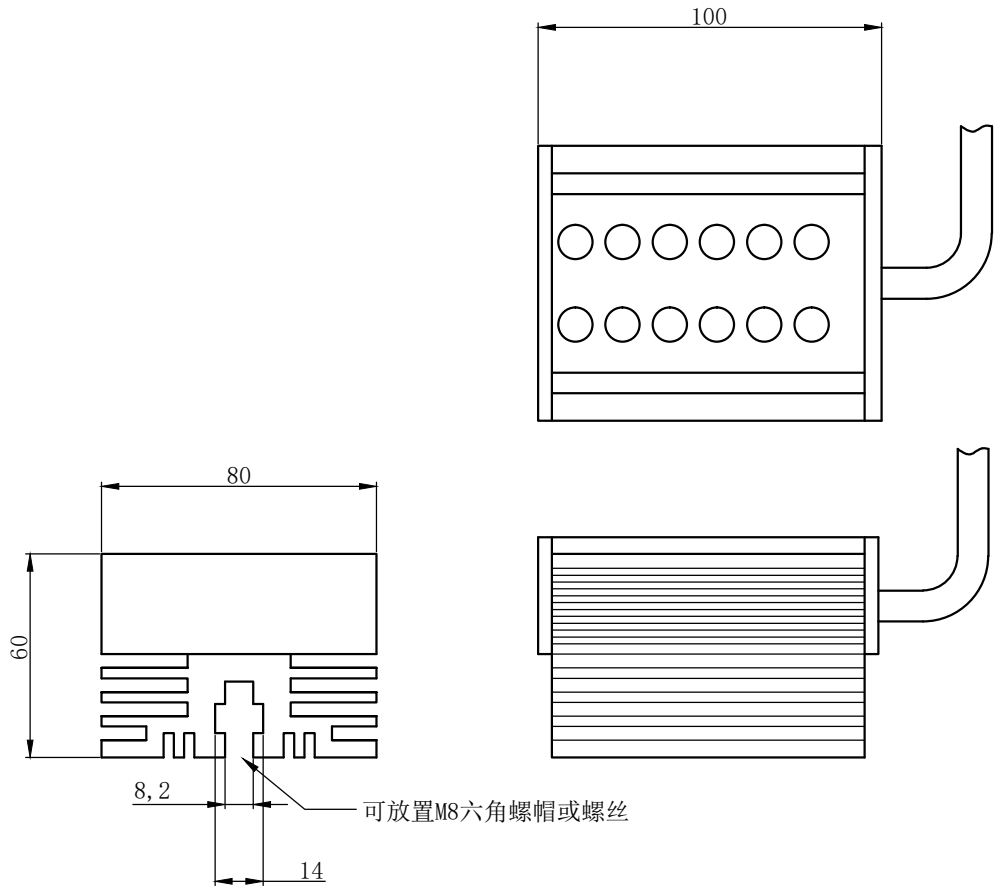


1 2 3 4 5 6 7

D
C
B
A

D
C
B
A



SPECIFICATIONS PARAMETER	
OPERATING VOLTAGE	DC24-26V
RATED CURRENT	500mA
RATED POWER	12W
PEAK CURRENT	1A
PEAK POWER	24W
WAVELENGTH OF LIGHT	R 620-625nm



PART NAME	HL-LH-90-2-R	DATE	2015-8-17
UNIT: mm	TITLE	DRAWING LAYOUT	DWN. BY
			CHKD. BY
			APPD. BY
			DWG. NO

1 2 3 4 5 6 7