

1

2

3

4

5

6

7

D

D

C

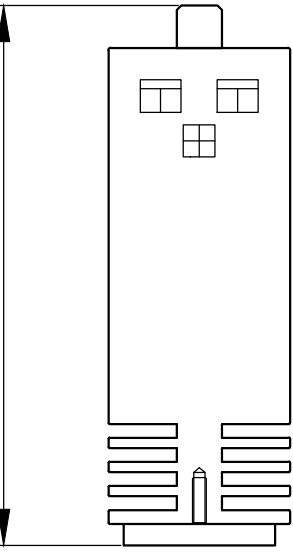
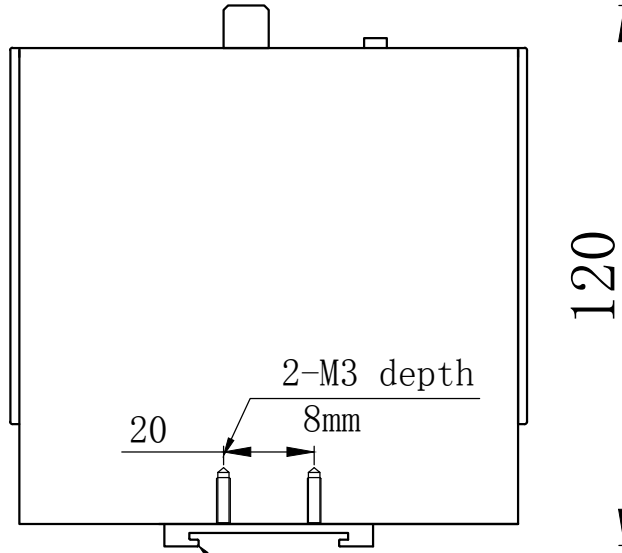
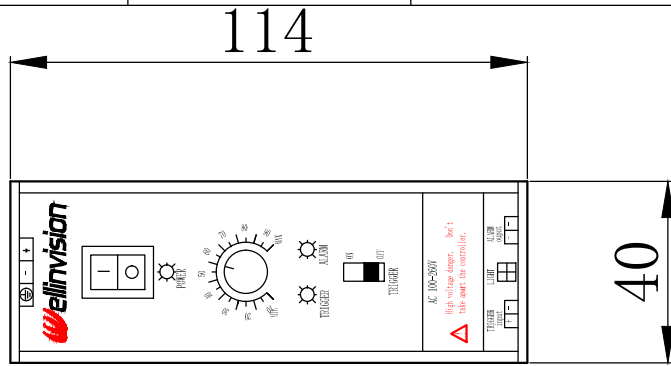
C

B

B

A

A



| SPECIFICATIONS PARAMETER | |
|--------------------------|--------------------|
| INPUT | DC 22-26V |
| OUTPUT | DC 24V |
| CTRL MODE | Constant current |
| OUT PORT | 4PIN |
| TRIGGER PORT | 3.01 2PIN(DC5-24V) |
| ALARM PORT | 3.01 2PIN |
| INPUT PORT | 5.08 3PIN |



| | | | |
|-----------|---------------|----------------|------------|
| PART NAME | HL-PA1-LWH4-T | DATE | 2014-12-10 |
| UNIT: mm | TITLE | DRAWING LAYOUT | DWN. BY |
| | | | CHKD. BY |
| | | | APPD. BY |
| | | | DWG. NO |

1

2

3

4

5

6

7