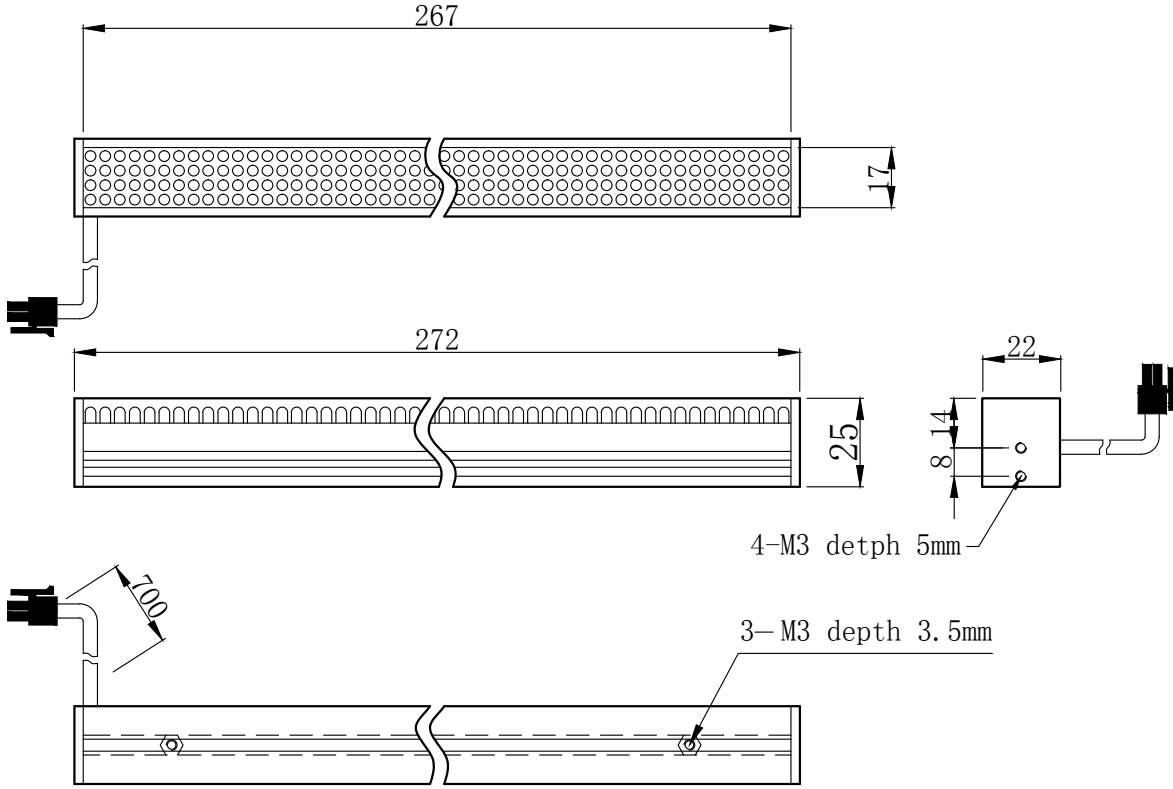


1 2 3 4 5 6 7

D D



**SPECIFICATIONS PARAMETER**

OPERATING VOLTAGE	DC24-26V
RATED CURRENT	W, G, B 400mA
RATED POWER	W, G, B 9.6W
PEAK CURRENT	W, G, B 800mA
PEAK POWER	W, G, B 19.2W
WAVELENGTH OF LIGHT	
	G 520-530nm
	B 465-470nm
	W 6500-8000K

B B

A A



PART NAME	HL-LN-267		DATE	2015-1-8
UNIT: mm	TITLE	DRAWING LAYOUT	DWN. BY	
			CHKD. BY	
			APPD. BY	
			DWG. NO	

1 2 3 4 5 6 7