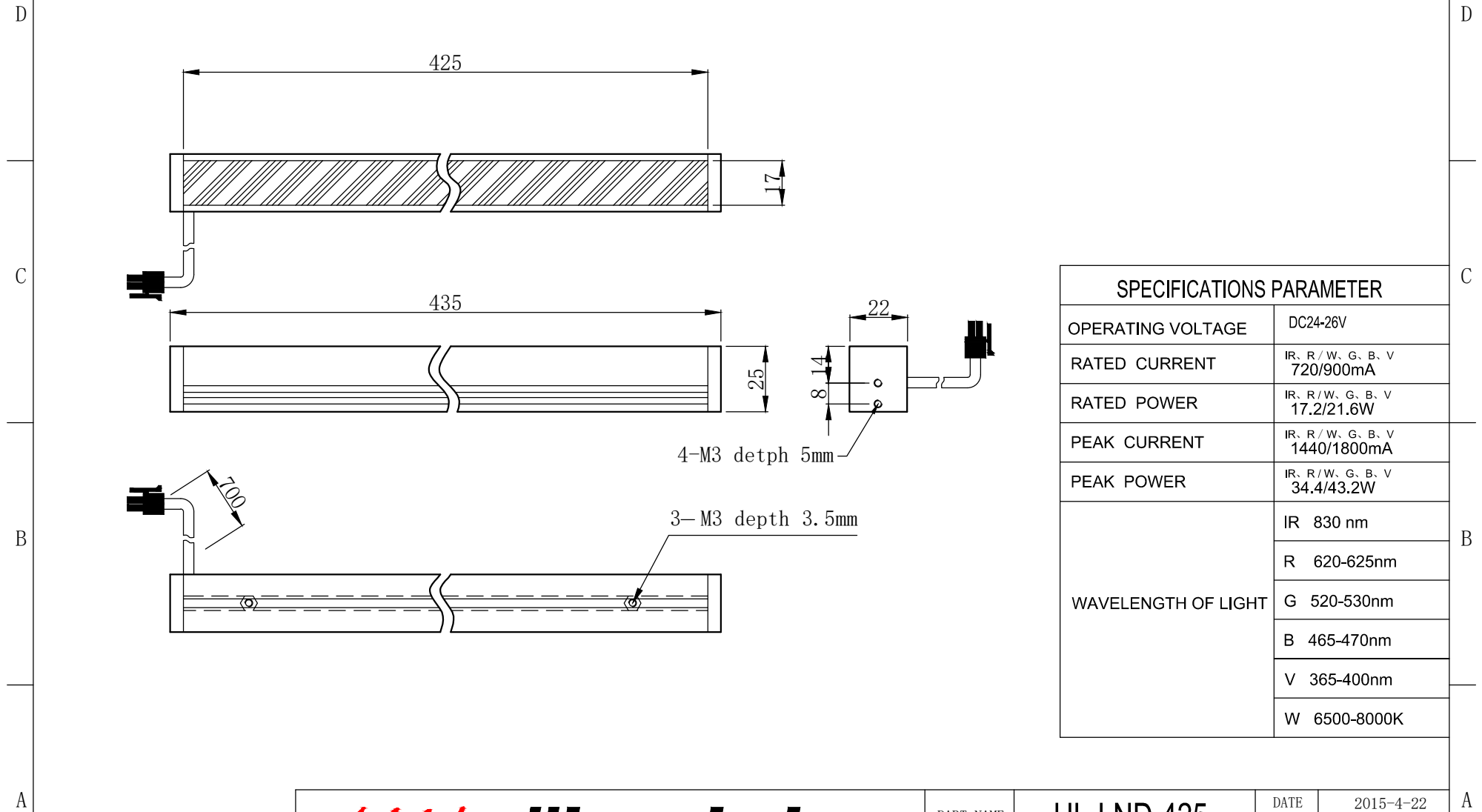


1 2 3 4 5 6 7



SPECIFICATIONS PARAMETER	
OPERATING VOLTAGE	DC24-26V
RATED CURRENT	IR, R / W, G, B, V 720/900mA
RATED POWER	IR, R / W, G, B, V 17.2/21.6W
PEAK CURRENT	IR, R / W, G, B, V 1440/1800mA
PEAK POWER	IR, R / W, G, B, V 34.4/43.2W
WAVELENGTH OF LIGHT	IR 830 nm
	R 620-625nm
	G 520-530nm
	B 465-470nm
	V 365-400nm
	W 6500-8000K

	PART NAME	HL-LND-425		DATE	2015-4-22
	UNIT: mm	TITLE	DRAWING LAYOUT	DWN. BY	
				CHKD. BY	
				APPD. BY	
			DWG. NO		

1 2 3 4 5 6 7