

1 2 3 4 5 6 7

D

D

C

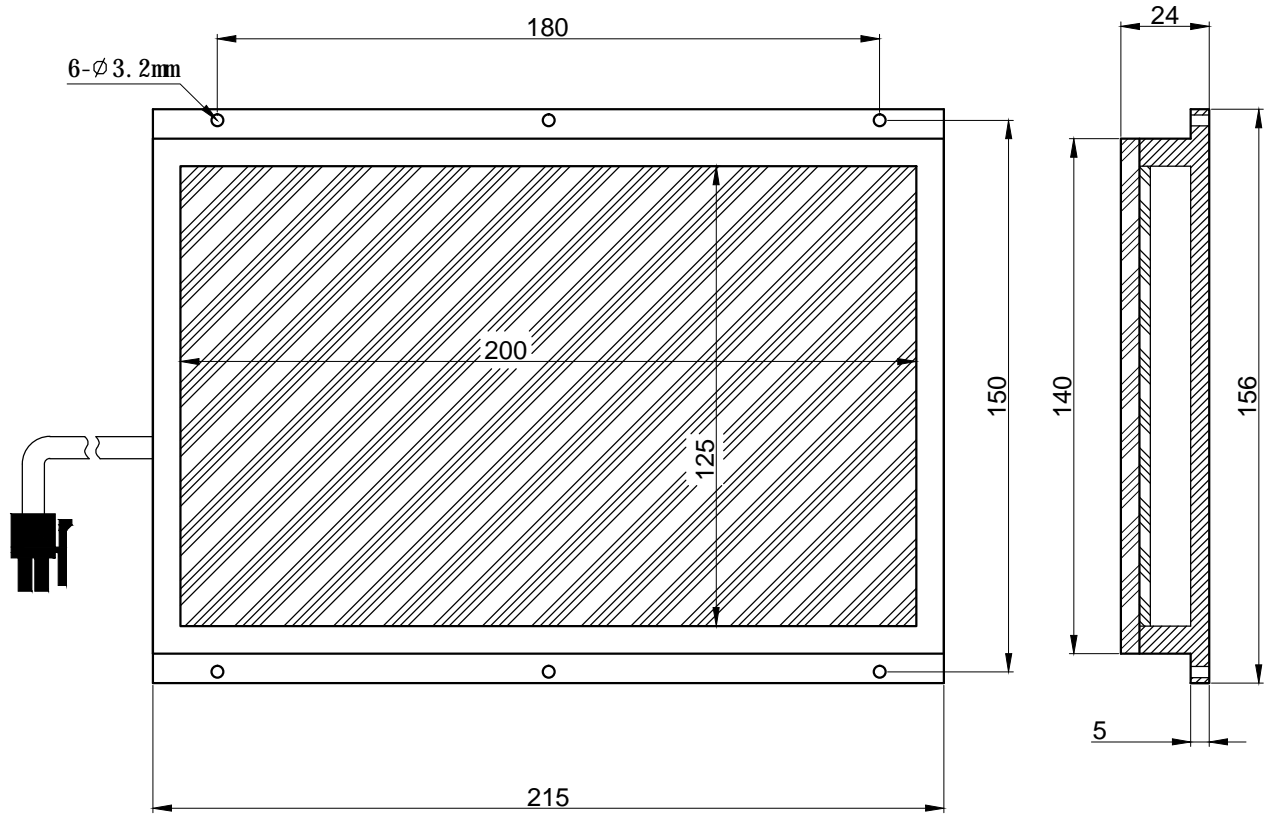
C

B

B

A

A



SPECIFICATIONS PARAMETER	
OPERATING VOLTAGE	DC24-26V
RATED CURRENT	IR, R / W, G, B, V 600/800mA
RATED POWER	IR, R / W, G, B, V 14.4/19.2W
PEAK CURRENT	IR, R / W, G, B, V 1200/1600mA
PEAK POWER	IR, R / W, G, B, V 28.8/38.4W
WAVELENGTH OF LIGHT	IR 850 nm
	R 620-625nm
	G 520-530nm
	B 465-470nm
	W 6500-7000K



PART NAME	HL-BKP-125-200		DATE	2013-9-07
UNIT: mm	TITLE	DRAWING LAYOUT	CHKD. BY	
			APPD. BY	
			DWG. NO	

1 2 3 4 5 6 7