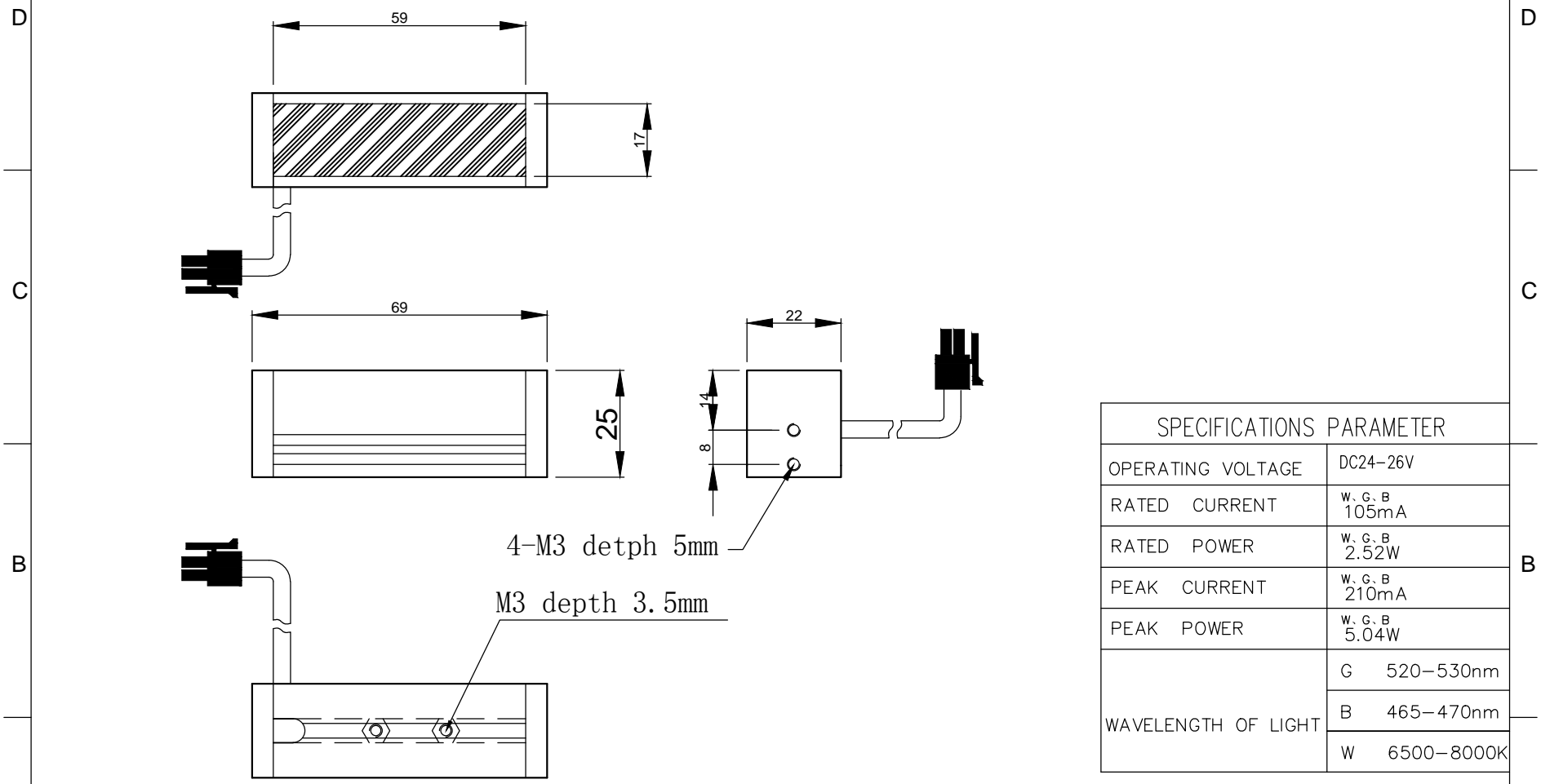


1 2 3 4 5 6 7



A

PART NAME	HL-LND-59		DATE	2013-9-23
			DWN. BY	
UNIT: mm	TITLE	DRAWING LAYOUT		CHKD. BY
			APPD. BY	
			DWG. NO	

1 2 3 4 5 6 7