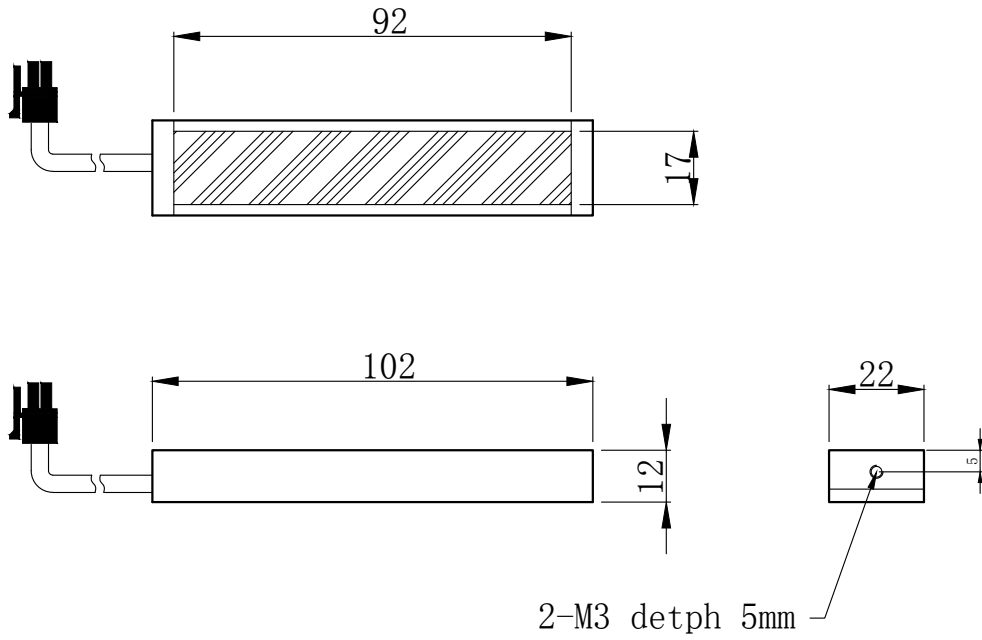


1 2 3 4 5 6 7

D
C
B
A



SPECIFICATIONS PARAMETER	
OPERATING VOLTAGE	DC24-26V
RATED CURRENT	W. G. B 120mA
RATED POWER	W. G. B 2.9W
PEAK CURRENT	W. G. B 240mA
PEAK POWER	W. G. B 5.3W
WAVELENGTH OF LIGHT	G 520-530nm
	B 465-470nm
	W 6500-8000K



PART NAME	HL-LND-92-12	DATE	2015-1-8
UNIT: mm	TITLE	DRAWING LAYOUT	CHKD. BY
			APPD. BY
			DWG. NO

1 2 3 4 5 6 7