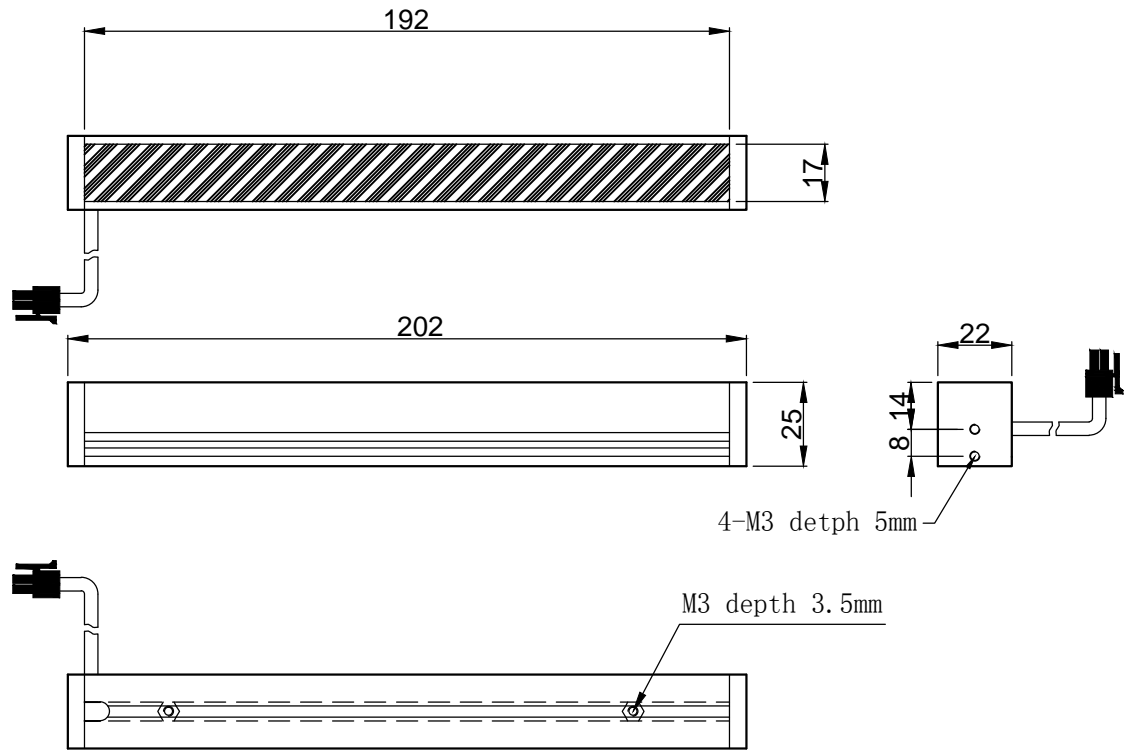


1 2 3 4 5 6 7

D  
C  
B  
A

D  
C  
B  
A



SPECIFICATIONS PARAMETER	
OPERATING VOLTAGE	DC24-26V
RATED CURRENT	W. G. B 310mA
RATED POWER	W. G. B 7.44W
PEAK CURRENT	W. G. B 620mA
PEAK POWER	W. G. B 14.88W
WAVELENGTH OF LIGHT	G 520-530nm
	B 465-470nm
	W 6500-8000K



PART NAME	HL-LND-192		DATE	2013-9-23
UNIT: mm	TITLE	DRAWING LAYOUT	DWN. BY	
			CHKD. BY	
			APPD. BY	
			DWG. NO	

1 2 3 4 5 6 7