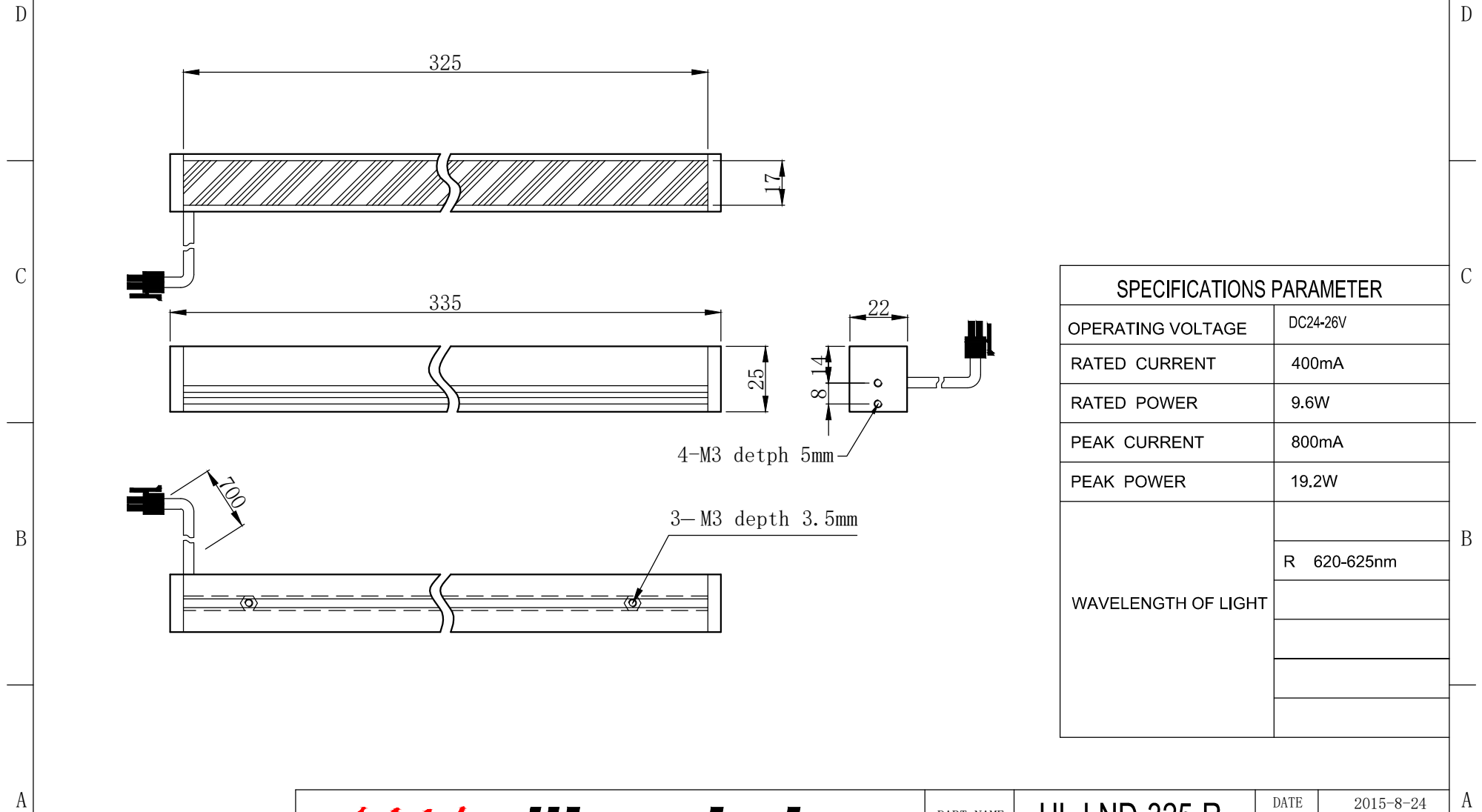


1 2 3 4 5 6 7



SPECIFICATIONS PARAMETER	
OPERATING VOLTAGE	DC24-26V
RATED CURRENT	400mA
RATED POWER	9.6W
PEAK CURRENT	800mA
PEAK POWER	19.2W
WAVELENGTH OF LIGHT	R 620-625nm

	PART NAME	HL-LND-325-R	DATE	2015-8-24
	UNIT: mm	TITLE	DRAWING LAYOUT	DWN. BY
				CHKD. BY
				APPD. BY
				DWG. NO

1 2 3 4 5 6 7