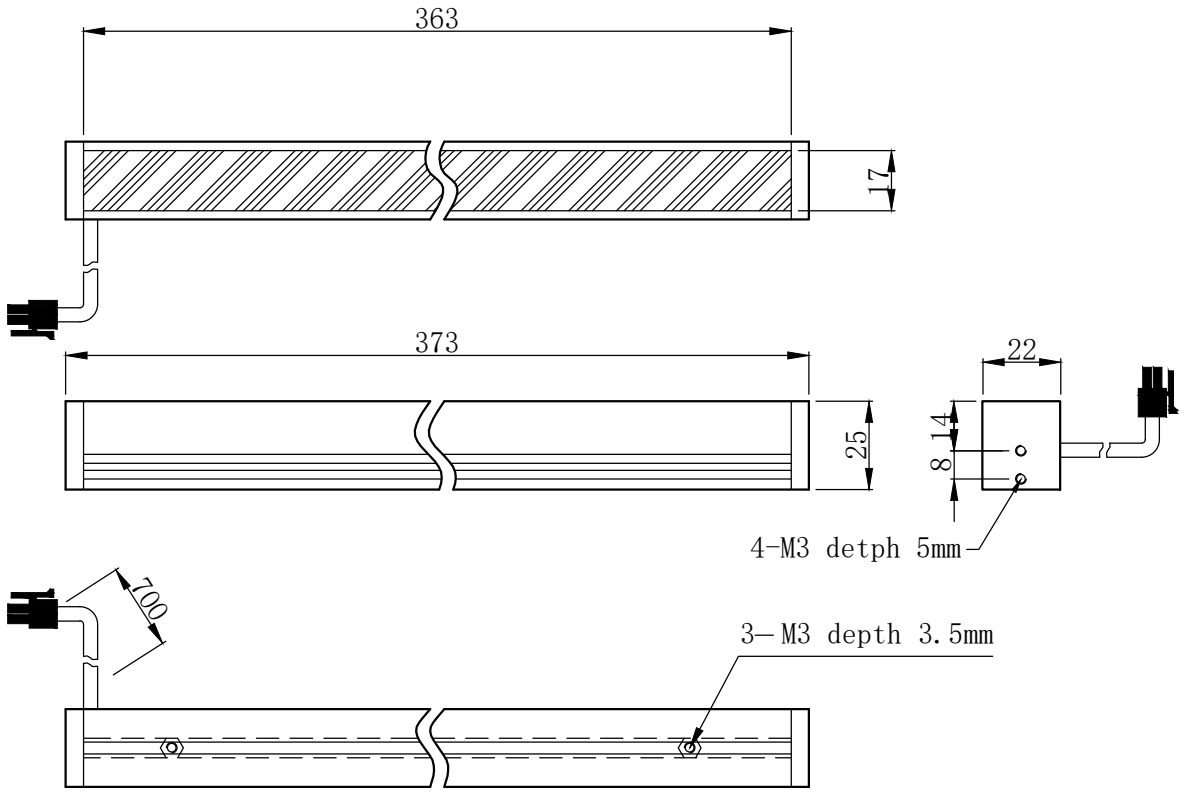


1 2 3 4 5 6 7

D D



SPECIFICATIONS PARAMETER	
OPERATING VOLTAGE	DC24-26V
RATED CURRENT	400mA
RATED POWER	9.6W
PEAK CURRENT	800mA
PEAK POWER	19.2W
WAVELENGTH OF LIGHT	
	R 620-625nm

B B

A A



PART NAME	HL-LND-363-R	DATE	2015-8-24
UNIT: mm	TITLE	DWN. BY	
	DRAWING LAYOUT	CHKD. BY	
		APPD. BY	
		DWG. NO	

1 2 3 4 5 6 7