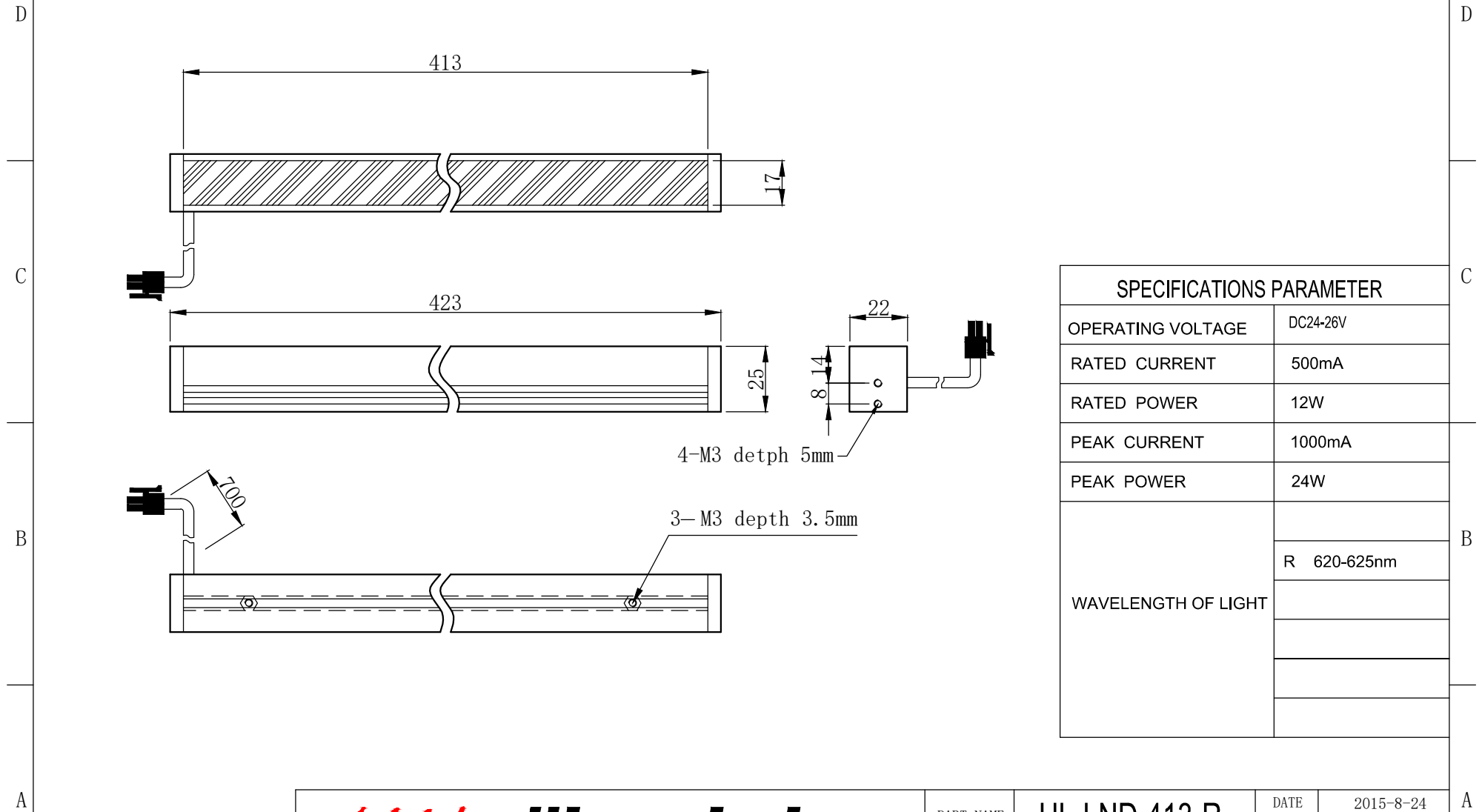


1 2 3 4 5 6 7



SPECIFICATIONS PARAMETER	
OPERATING VOLTAGE	DC24-26V
RATED CURRENT	500mA
RATED POWER	12W
PEAK CURRENT	1000mA
PEAK POWER	24W
WAVELENGTH OF LIGHT	R 620-625nm

	PART NAME	HL-LND-413-R	DATE	2015-8-24
	UNIT: mm	TITLE	DRAWING LAYOUT	DWN. BY
				CHKD. BY
				APPD. BY
			DWG. NO	

1 2 3 4 5 6 7