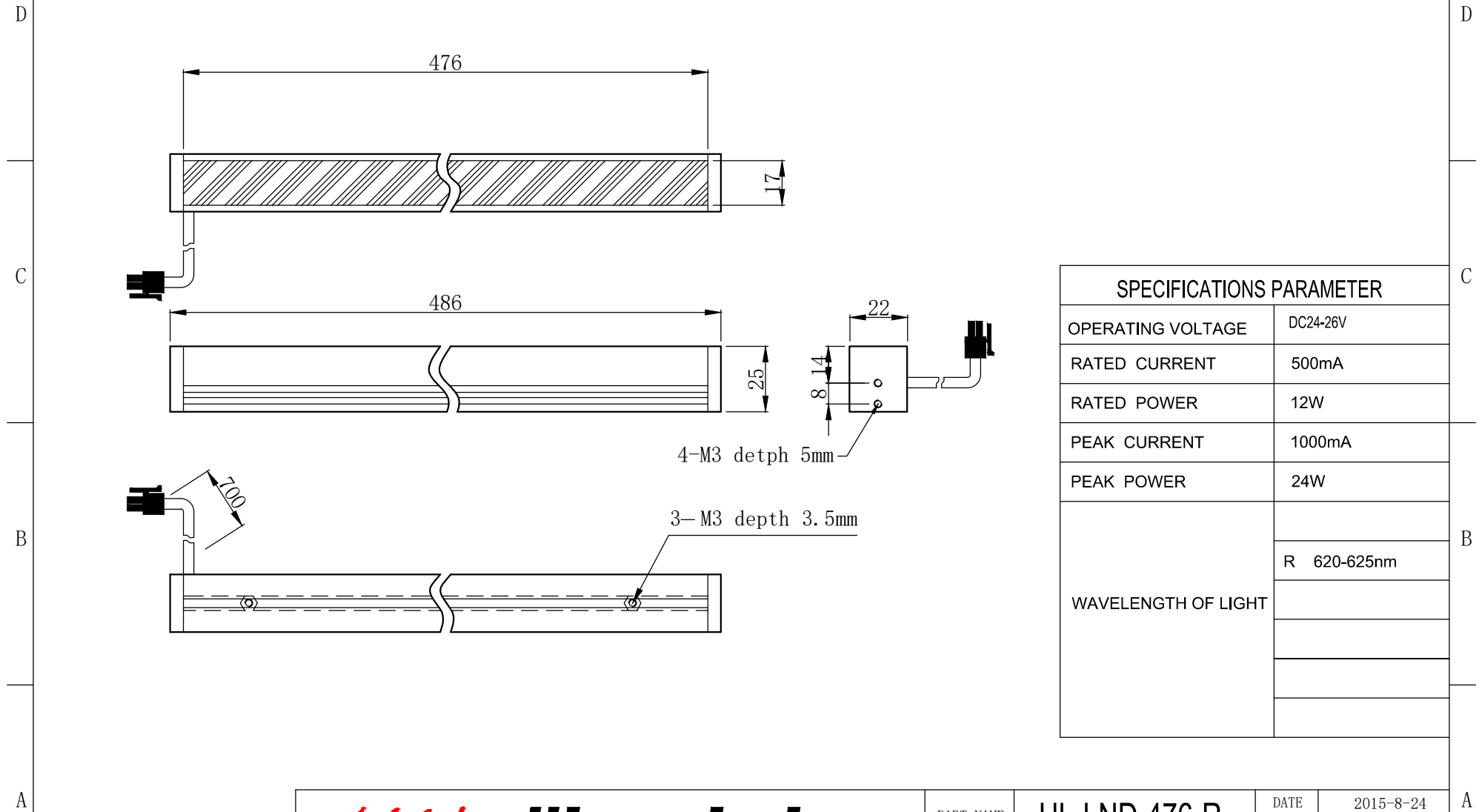


1 2 3 4 5 6 7



SPECIFICATIONS PARAMETER	
OPERATING VOLTAGE	DC24-26V
RATED CURRENT	500mA
RATED POWER	12W
PEAK CURRENT	1000mA
PEAK POWER	24W
WAVELENGTH OF LIGHT	R 620-625nm



PART NAME	HL-LND-476-R	DATE	2015-8-24
UNIT: mm	TITLE	DWN. BY	
DRAWING LAYOUT		CHKD. BY	
		APPD. BY	
		DWG. NO	

1 2 3 4 5 6 7