

1 2 3 4 5 6 7

D

C

B

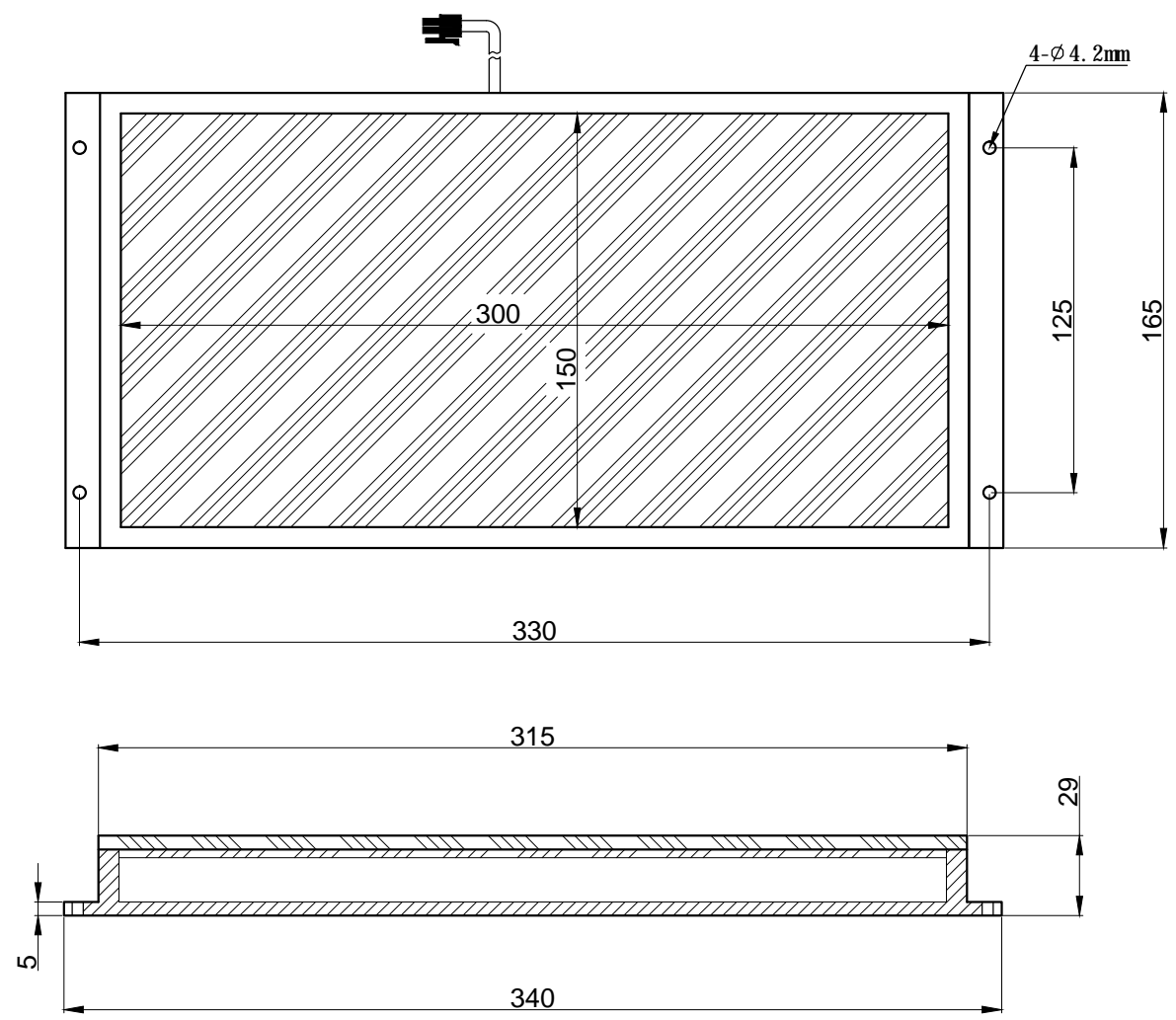
A

D

C

B

A



SPECIFICATIONS PARAMETER	
OPERATING VOLTAGE	DC24-26V
RATED CURRENT	IR, R / W, G, B 1.05/1.4A
RATED POWER	IR, R / W, G, B 25.2/33.6W
PEAK CURRENT	IR, R / W, G, B 2.1/2.8A
PEAK POWER	IR, R / W, G, B 50.4/67.2W
WAVELENGTH OF LIGHT	IR 850 nm
	R 620-625nm
	G 520-530nm
	B 465-470nm
	W 6500-7000K



PART NAME	HL-BKP-150-300		DATE	2013-5-3
UNIT: mm	TITLE	DRAWING LAYOUT	DWN.BY	
			CHKD.BY	
			APPD.BY	
			DWG.NO	

1 2 3 4 5 6 7