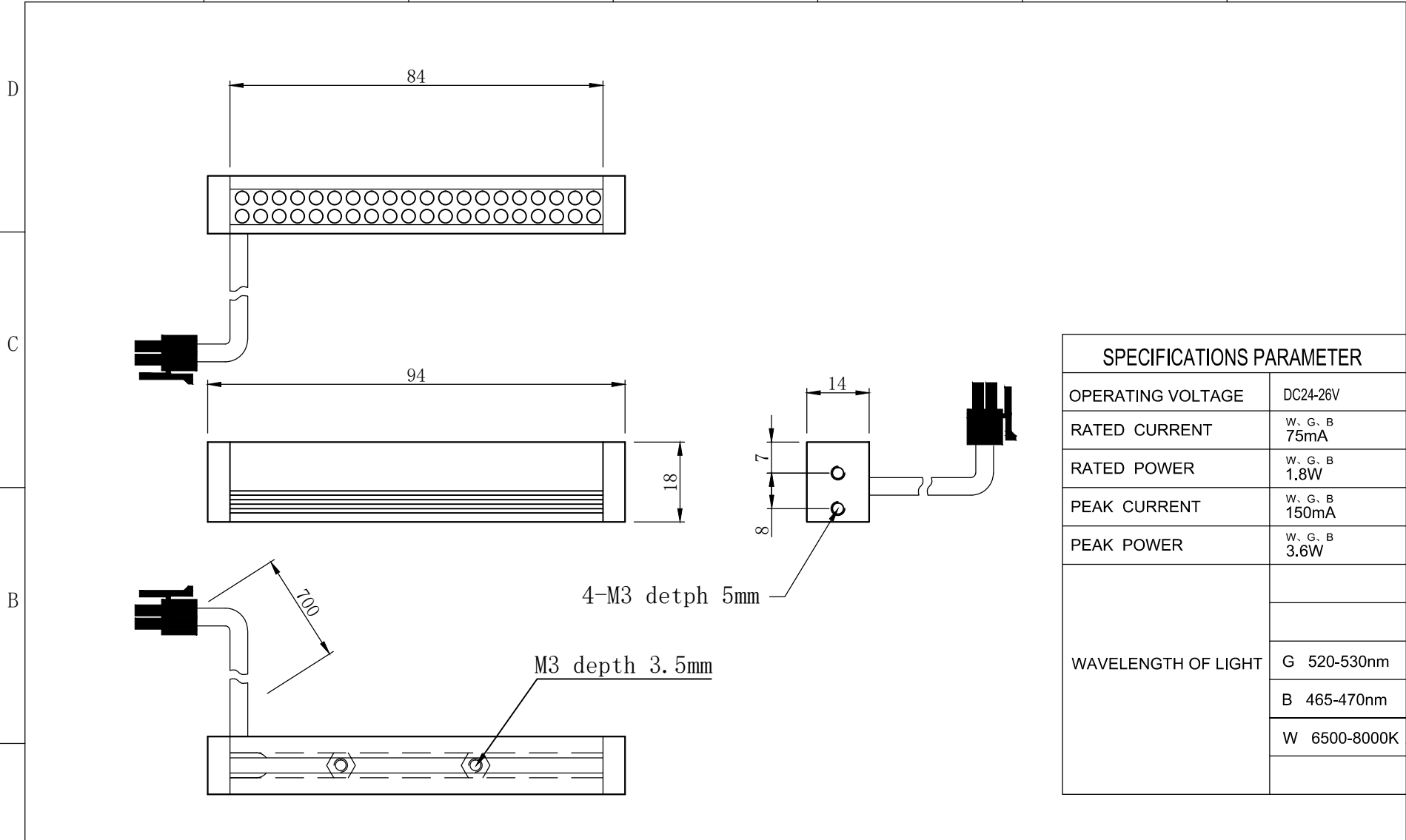


1 2 3 4 5 6 7



SPECIFICATIONS PARAMETER	
OPERATING VOLTAGE	DC24-26V
RATED CURRENT	W. G. B 75mA
RATED POWER	W. G. B 1.8W
PEAK CURRENT	W. G. B 150mA
PEAK POWER	W. G. B 3.6W
WAVELENGTH OF LIGHT	G 520-530nm
	B 465-470nm
	W 6500-8000K

	PART NAME	HL-LS-84		DATE	2016-1-18	
	UNIT: mm	TITLE	DRAWING LAYOUT		DWN. BY	
					CHKD. BY	
					APPD. BY	
				DWG. NO		

1 2 3 4 5 6 7